



Tony likes dancing.



Mary likes eating ice cream.

Andy doesn't like /hates reading.





Kate likes roller skating.



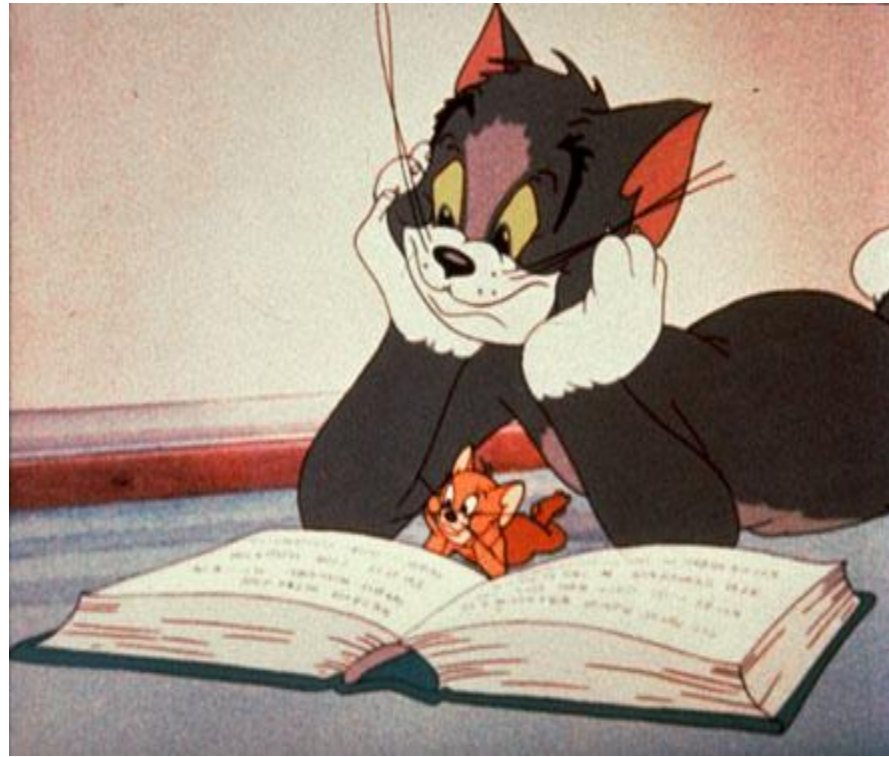
Micky likes driving a car.



The cat hates swimming.



Tweety likes flying.



Tom and Jerry like reading.



Lucy

LIKE



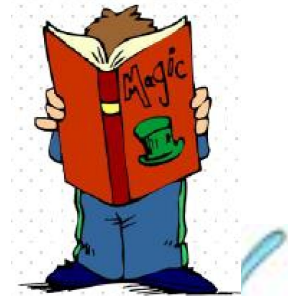
HATE





Peter

LIKE
HATS





LOVE



NOT LIKE



HATE



LIKE



George



LOVE



NOT LIKE



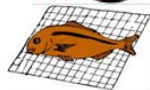
HATE



LIKE



Claire





Claire

LIKE



HATE



What is the cat going to do?
It is going to...



What is the woman going to do?

She...



What.....do?
It is going to play tennis.



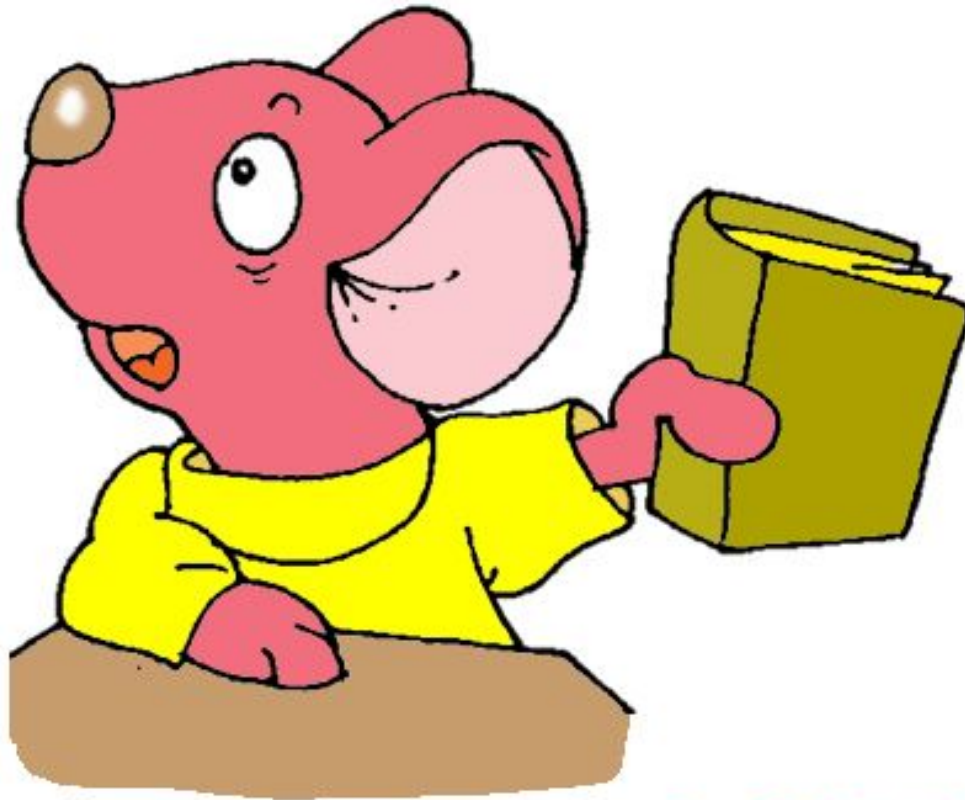
What.....do?

The gorilla is going to take a shower.



What is the mouse going to do?

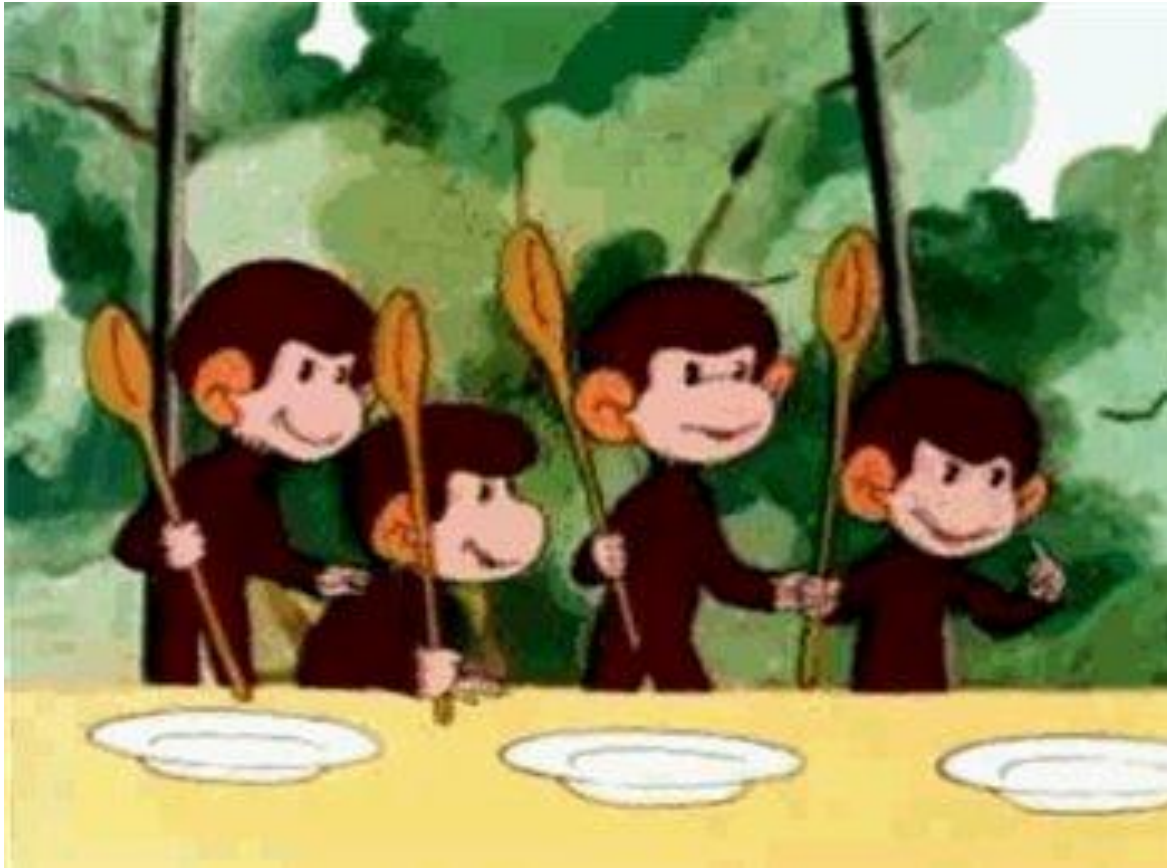
It



What are the dog and the cat going to do?
Theygoing to watch TV.



Make two questions and two answers,
using the pictures:



Make up the sentences.

(She / call / her boyfriend)

She is going to call her boyfriend.

(They / play / football)

They are going to play football.

(She / visit / her grandma)

She is going to visit her grandma.

(We / walk / in the mountains)

We are going to walk in the mountains.

(We / wash / the car)

We are going to wash the car.

Make up sentences.

We (not / help) you.

We are not going to help you.

Jack (not / walk) home.

Jack is not going to walk home.

Sue (not/ eat) her biscuits.

Sue is not going to eat her biscuits.

I (not / spend) my holiday abroad this year.

I am not going to spend my holiday abroad this year.

I (not /sell) my car.

I am not going to sell my car.

Make up sentences.

(he / cook dinner / tonight)?

Is he going to cook dinner tonight?

(you / run / in the race)?

Are you going to run in the race?

(they / climb / that mountain)?

Are they going to climb that mountain?

(we / eat / fish / tonight)?

Are we going to eat fish tonight?

(he / play football / tomorrow)?

Is he going to play football tomorrow?

Read and find.

Every day I've got lots of things to do. I like going to school, and I love seeing my friends. I like doing my homework but I hate playing the piano! Weekends are great because I really like sleeping late but I don't like tidying my room!

<i>going to school</i>		

Write the missing words in the sentences. Use the verbs from the box.

Fly

wash

watch

play

read

I love _____ TV.

I don't like _____ the car.

I like _____ computer games.

I like _____ books.

I hate _____ in a plane.

Find the mistake

I love play football.

I no like study Maths.

I really liking use the computer.

He doesn't like to do his homework.



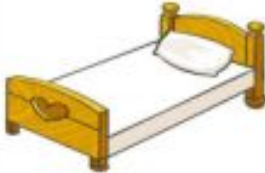

They like watch films.

1. Match them up!

These are my plans for my holiday. Read and match them to the pictures.



- a. I'm going to see my grandparents
- b. I'm going to go to the beach.
- c. I'm going to do some homework.
- d. I'm going to eat lots of ice cream.
- e. I'm going to sleep a lot!

				
	a			

2. Make it right!

Find the mistake, underline it and write it correctly.

- a. I'm going go to Hong Kong.
- b. She are going to be a doctor when she grows up.
- c. He going to watch TV tonight.
- d. They're going to having pizza for dinner.
- e. I'm go to visit my grandparents at the weekend.

- **Fill in the blanks below to complete the sentences. Use the words in the boxes above.**

1. I am going to meet my friends after class. Would you like to join us?
2. A: _____ your brother _____ travel next week? B: Yes, he _____.
3. Alex _____ go to work today because he is sick.
4. Bob and Cathy _____ see a movie tonight. It starts at seven o'clock.
5. A: _____ you _____ do your homework? B: Yes, I _____.
6. We're too busy, so we _____ have lunch.
7. A: _____ you _____ watch TV tonight B: No, I _____.
8. Where _____ they _____ stay when they visit Paris?
9. My classmates and I _____ have a test next Monday. We have to study!
10. What _____ you _____ buy for your sister's birthday present?
11. We _____ go to the beach today because the weather is bad.
12. I'm tired, so I _____ take a short nap.
13. My cousin doesn't like her boss. She _____ look for a new job.
14. It's almost three o'clock. _____ we _____ leave for the airport soon?
15. Look at those dark clouds! I think it _____ rain soon.

Sound recordist

Cellphone

Coconut shell

Producer

Sheet of tin

Director

Watering can

Actor

Rice

Camera operator

Tin tray

Рис

Продюсер

Актер

Оператор

Сотовый телефон

Жестяной поднос

Режиссер

Лист жести

Скорлупа кокоса

Лейка

Звукооператор



ЦНТИ

Wa**t**e**r**i**n**g c a**n**

a**c**t**o****r**

Ri c**e**

Ca**m**e**r****a** **o****p**e**r****a****t**o**r**

Ti**n** **t**r**a**y