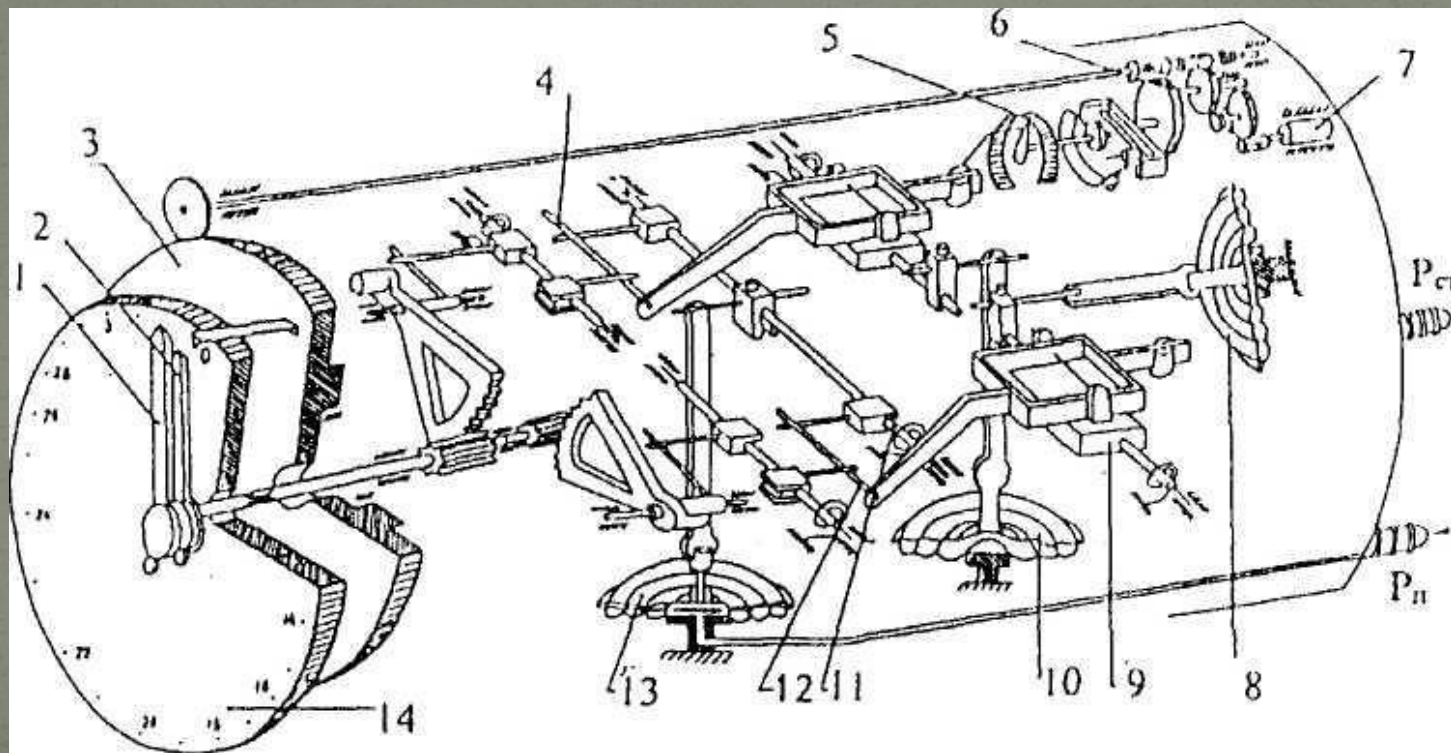


Rate-of-climb indicator VR-10MK



Instruments application: measurement of the vertical velocity of the aircraft are known as rate of climb indicator. With their help, the specified speed of climb or descent of the AIRCRAFT is controlled, the horizontal flight mode is supported.



The sensitive element of the rate of climb indicator the manometric box 10, the inner cavity of which is connected to the atmosphere through the pipeline 9 and the nozzle 8 through the static wiring of the helicopter (PVD-6).

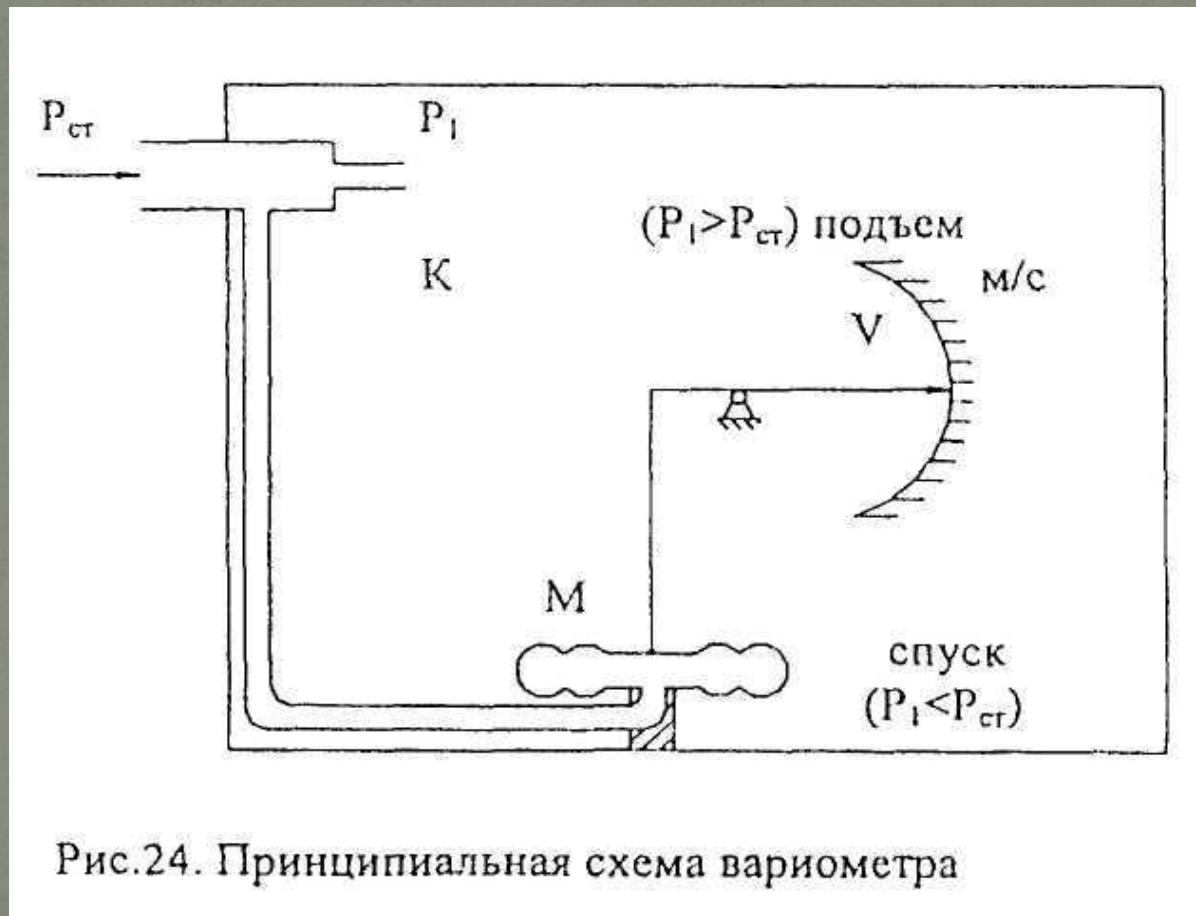


Рис.24. Принципиальная схема вариометра

This division of the body of the device into two sections is made in order that the heat released during the operation of the gyromotor does not affect the operation of the variometer due to changes in the pressure of the PCT in the body of the device.

