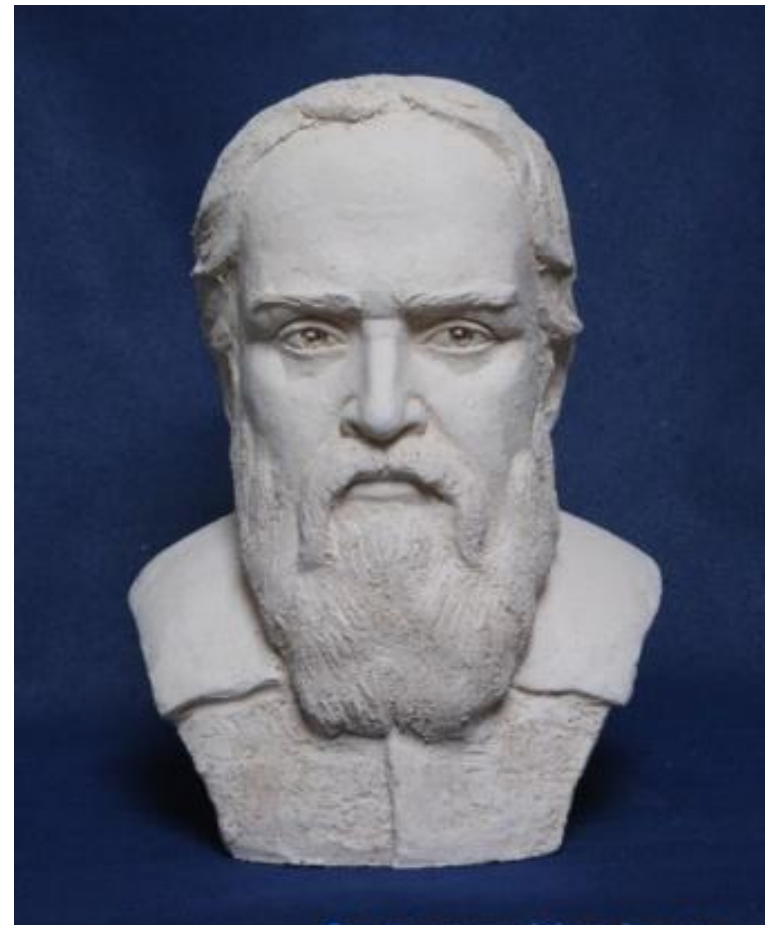
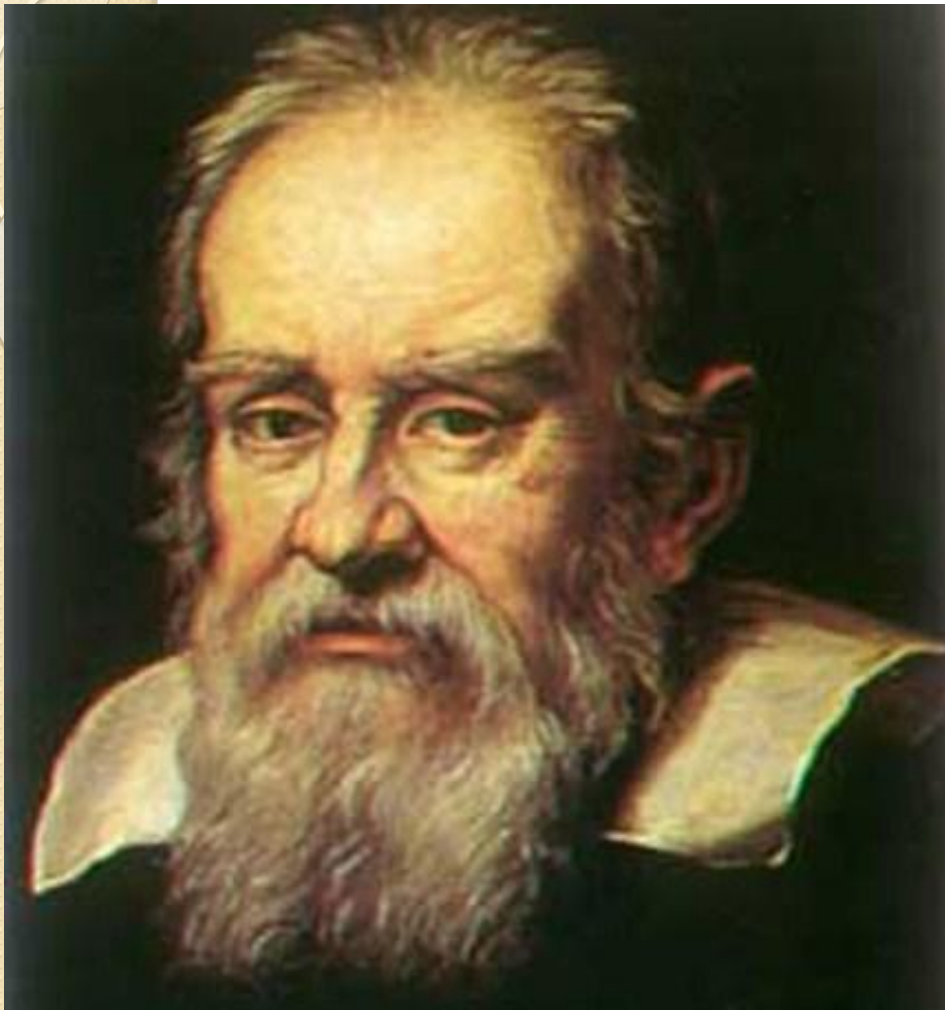




# Galileo Galilei

February 15,  
1564 - January 8,  
1642





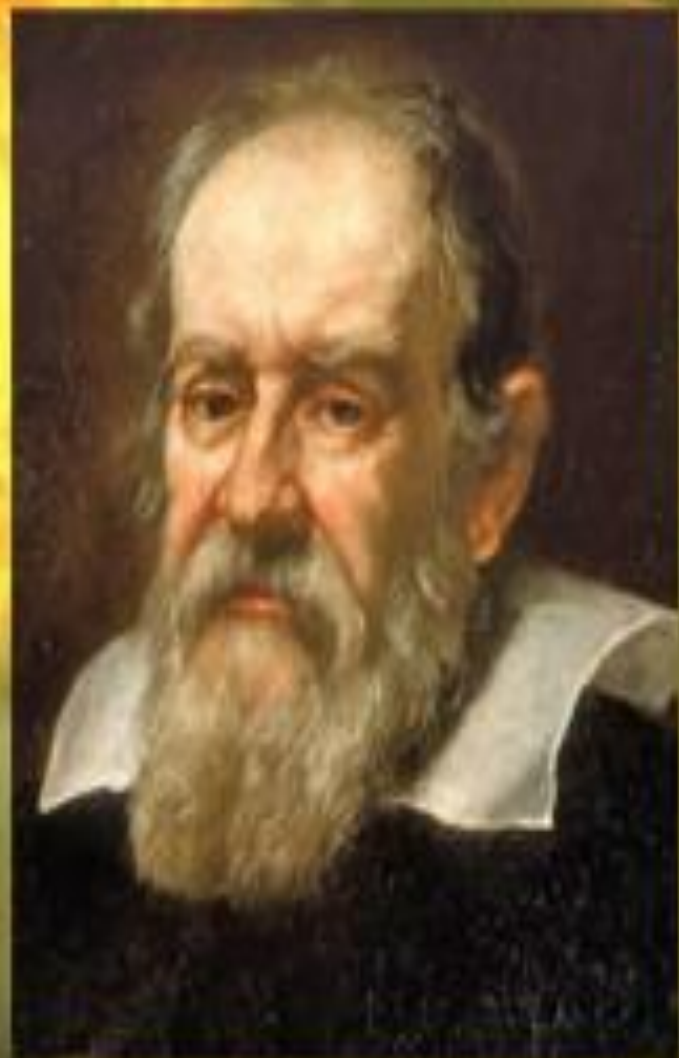
**Galileo was  
born in Pisa**

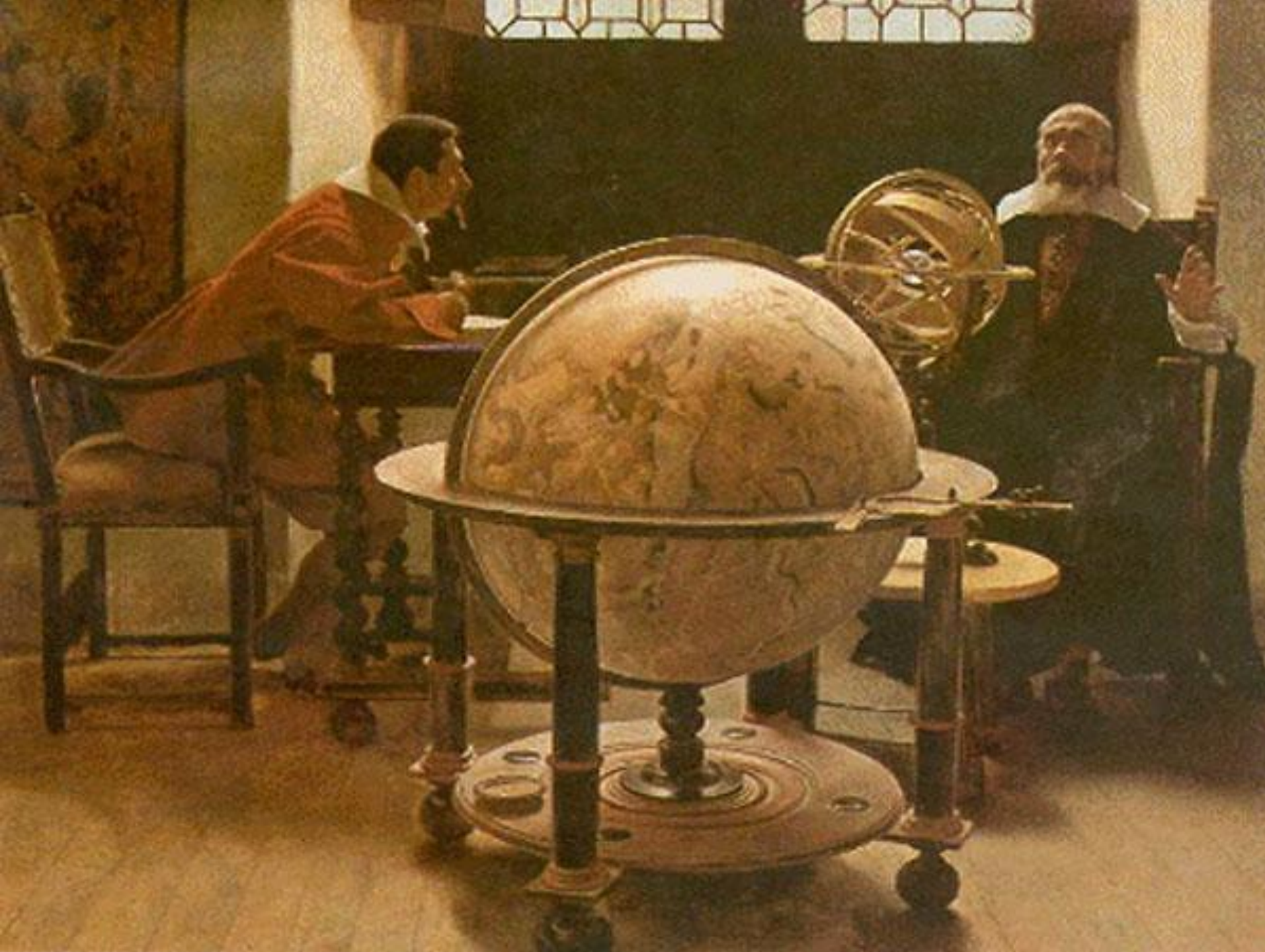




**Galileo Galilei was the founder of experimental and mathematical method of studying nature. He left a detailed account of this method and formulated the major principles of the mechanical world. His research fundamentally influenced the development of scientific thought. It is he who goes back to physics as a science.**



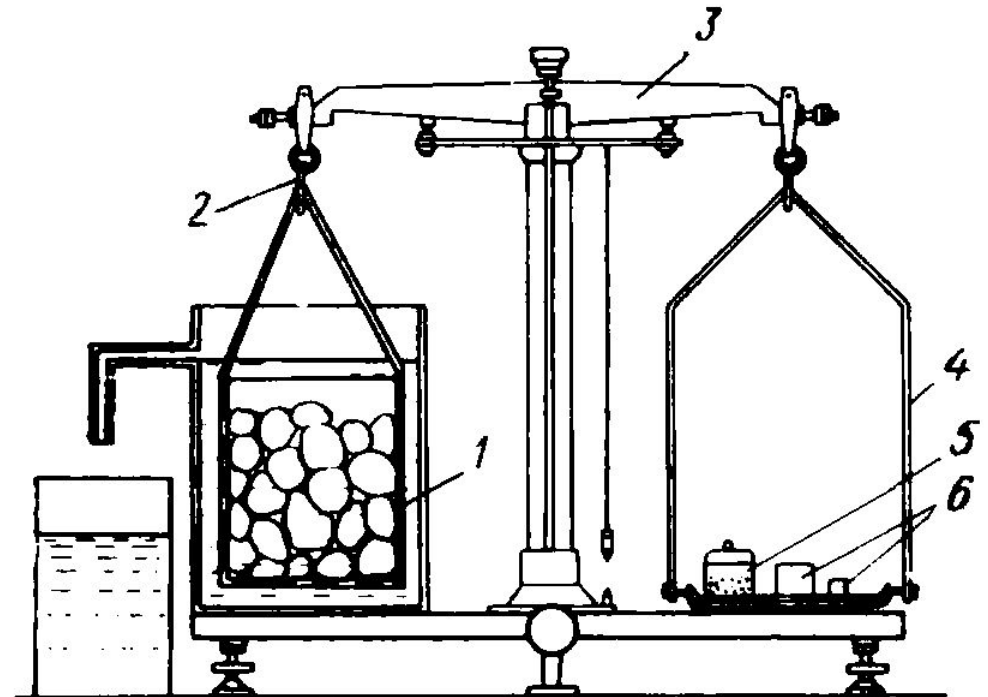
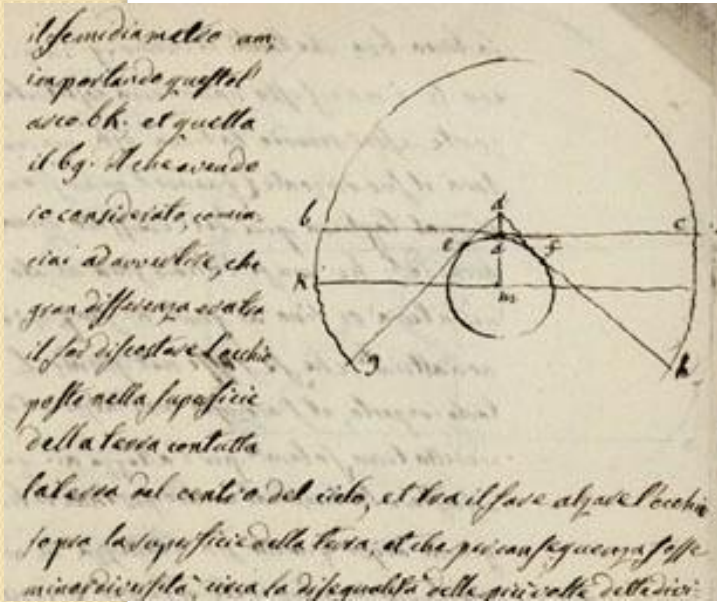






# Inventions

## hydrostatic weight

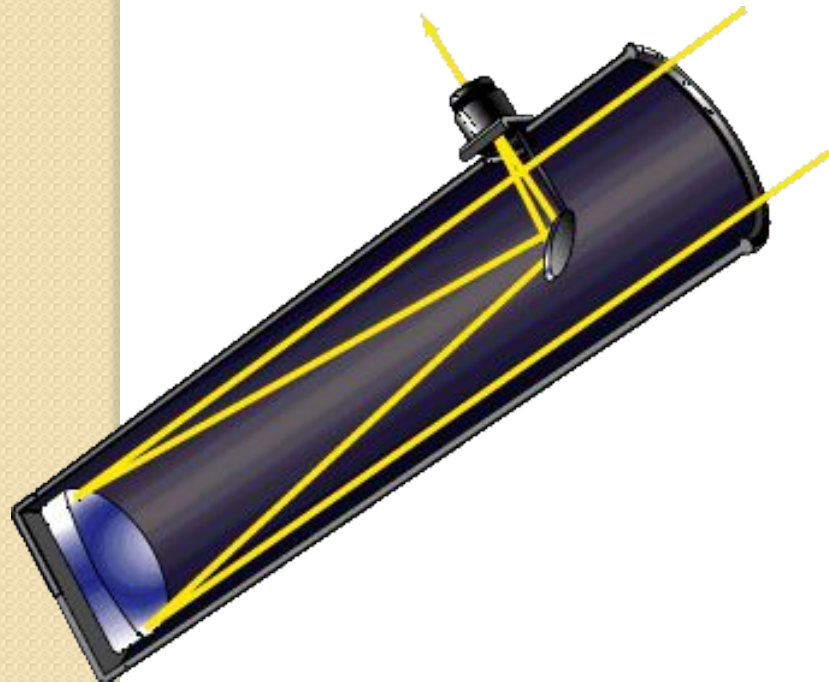


**thermoscope**



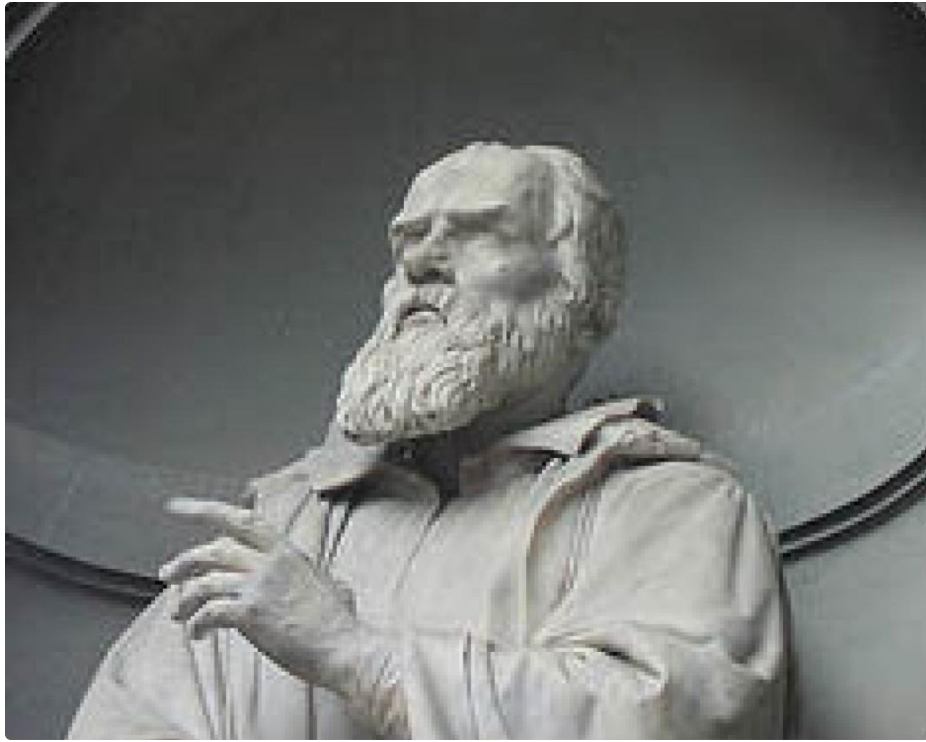
**The first telescope  
was built in 1609 by Galileo  
Galilei.**





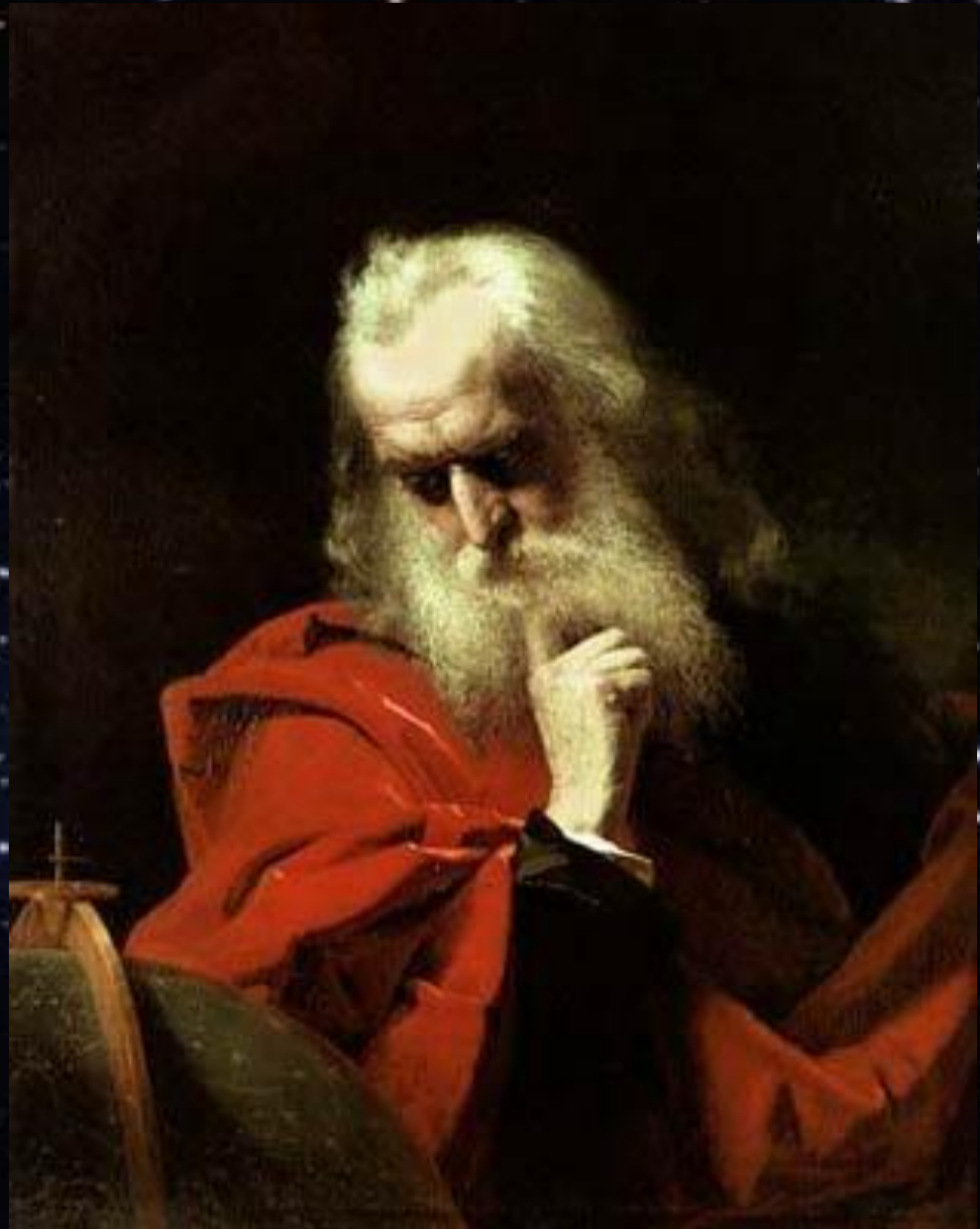


# monument to Galileo Galilei



The image shows the tomb of Galileo Galilei in the Basilica of Santa Croce, Florence. The monument is a masterpiece of Baroque sculpture by Giovanni Stanetti. It features a central seated figure of Galileo in a niche, flanked by two standing female figures representing Science and Philosophy. Below them is a large, ornate urn. The entire structure is set against a background of colorful frescoes. At the bottom, there is a Latin inscription on a stone base.

# Tomb of Galileo Galilee.







• Performed Manakova Svetlana

9-c