

**Riddles about animals.  
Загадки о животных (для  
учащихся 2 классов)**

**Подготовила учитель английского языка Смирнова М.Е.  
ГБОУ СОШ № 572 г.Москва**

# Цели и задачи:

- ❖ Совершенствование лексических навыков и навыков чтения.
- ❖ Закрепление речевых образцов «I am.../ It is...; I can.../It can.....; I live.../It lives...; I like..../It likes....»
- ❖ Обобщение изученного материала по теме «Животные».
- ❖ Развитие умения слушать и слышать, развитие воображения.
- ❖ Тренировка внимания и мышления.
- ❖ Развитие интереса к изучению английского языка через загадки, игры.

**I am very big and I am grey. I live in the jungle, but you can find me at the zoo or in the circus. I don't like meat, I like vegetables, fruit and grass. I am very strong, I can lift a ton.**

**The answer.**



Smirnova M.V. "Riddles about animals".

**-I have got a bushy tail, sometimes I am grey and sometimes I am red. I like nuts. What am I?**

**The answer**



Smirnova M.V. "Riddles about animals".

**It is green, big and long. It lives in the water and likes to eat meat.**

**The answer.**



**It is small, it lives in the forest. It  
is afraid of everything.**

**The answer.**



**-I can go without food and water  
for a long time.**

**The answer.**



Smirnova M.V. "Riddles about animals".

It is an animal that has beautiful yellow and black stripes and a long tail. It looks like a big cat. It lives in India and it can run very fast.

**The answer.**





**I live in the river. I am not a fish. I jump in the field. I have got a green coat.**

**The answer.**



# Who is the slowest of all?

**The answer.**



# Who is the fastest of all?

The answer.



# Who has the longest neck?

The answer.



**My friend is a man, my wife is a hen, my child is a chick. Who am I? Say quick.**

**The answer.**





## Найдите рифмующие пары:

bag	fast
father	phone
cool	flag
last	grey
stone	snow
play	mother
show	try
cry	pool



# Какое слово лишнее? Зачеркни его.

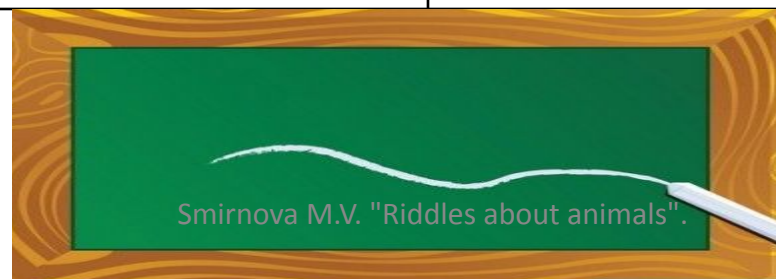
- cat, dog, hamster, ~~horse~~;
- cow, goat, pig, ~~wolf~~;
- fish, frog, ~~fox~~, crocodile;
- tiger, lion, wolf, ~~cow~~;
- fox, wolf, ~~bird~~, hare;
- bear, ~~horse~~, fox, wolf;



# Составьте одно новое слово из двух данных слов.

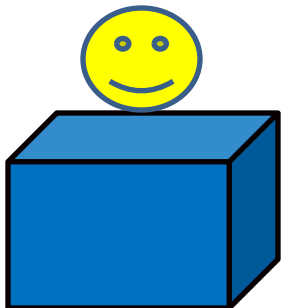


foot	shelf
snow	box
book	ball
post	board
letter	card
black	man

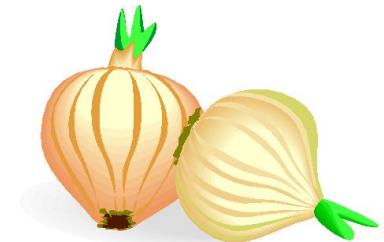




# Назови лесенку из слов, начинающихся на букву O. Картинки тебе помогут



o	n					
o	l	d				
o	p	e	n			
o	n	i	o	n		
o	r	a	n	g	e	
o	c	t	o	b	e	r



# Назови слова, картинки помогут тебе.

m a p

h a t

f a t

c a t

b a g

It is on the wall of your classroom.

A man puts it on his head when it is cold.

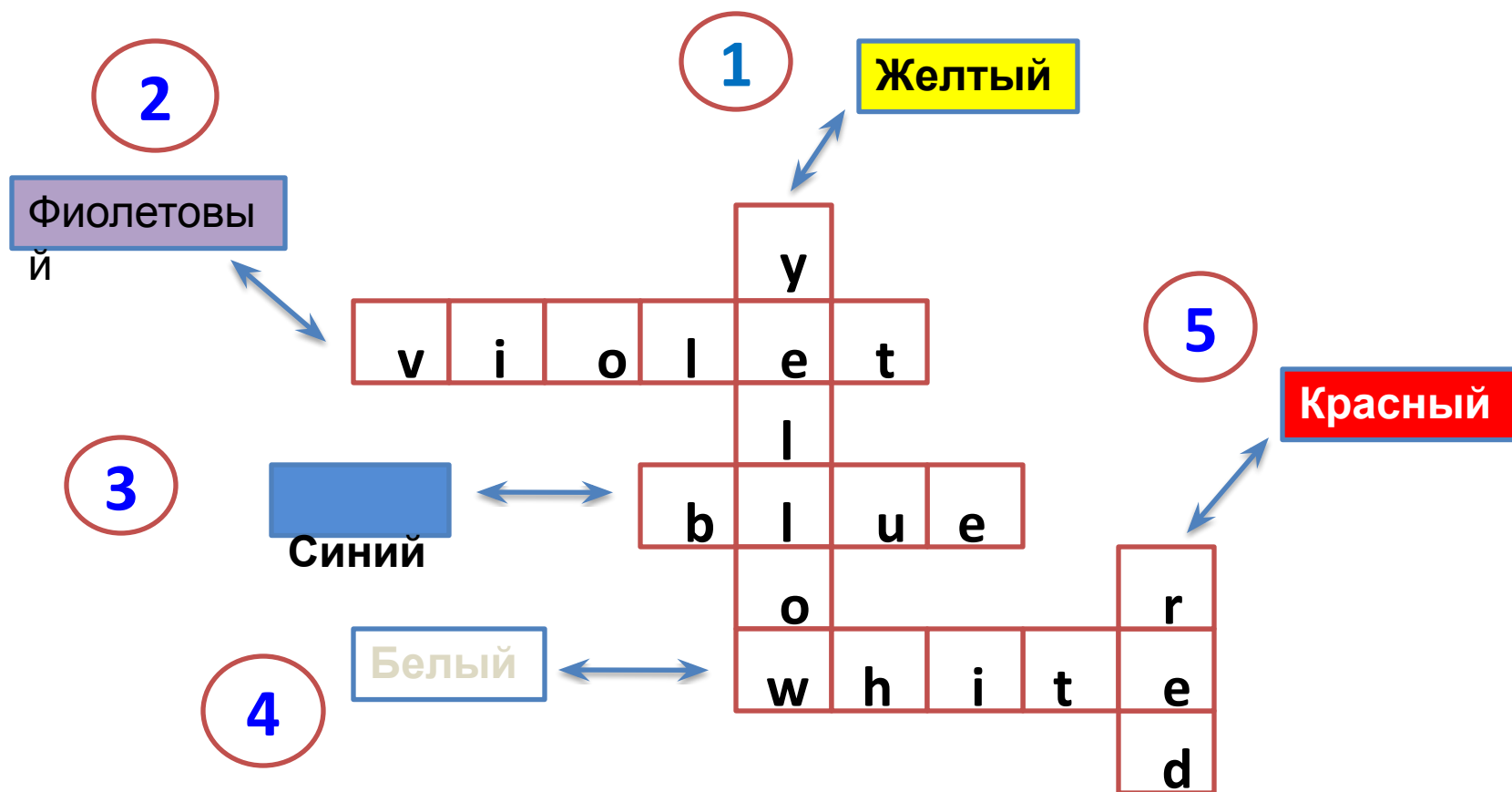
This women is not thin, she is ... .

A pet in the house.

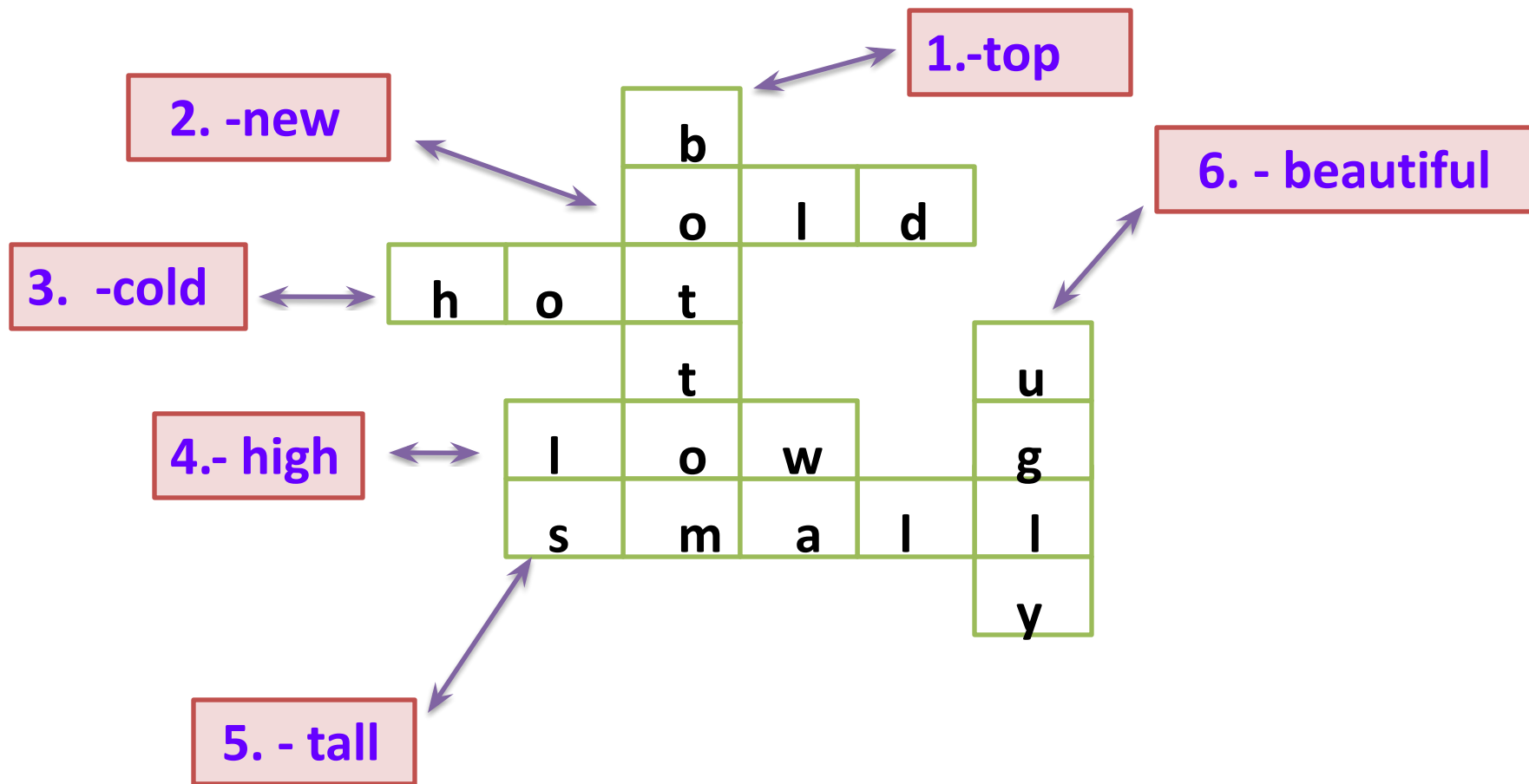
You put your student's books there.

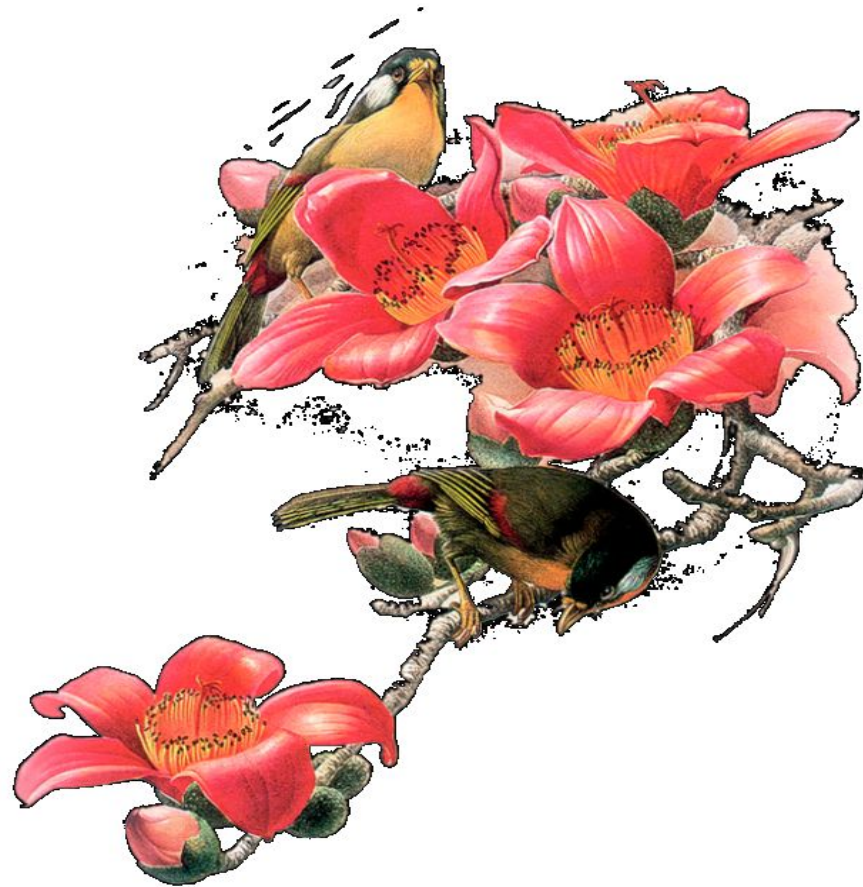


# Реши «цветной» кроссворд:



Назови антонимы ( слова, имеющие противоположное значение) и проверь себя с помощью кроссворда.





**Thank you very much!**