



Electric Cars

Made by: student of
Tomsk Polytechnic University
Solozhenko A.V.

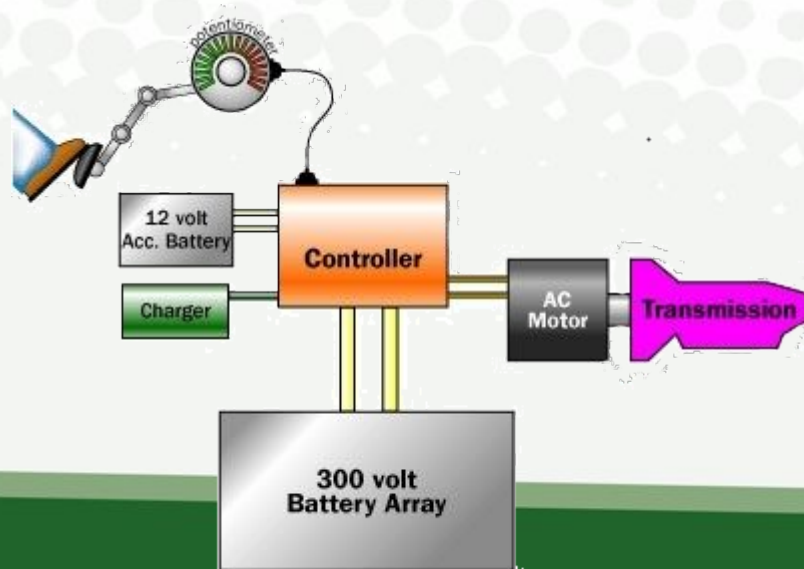
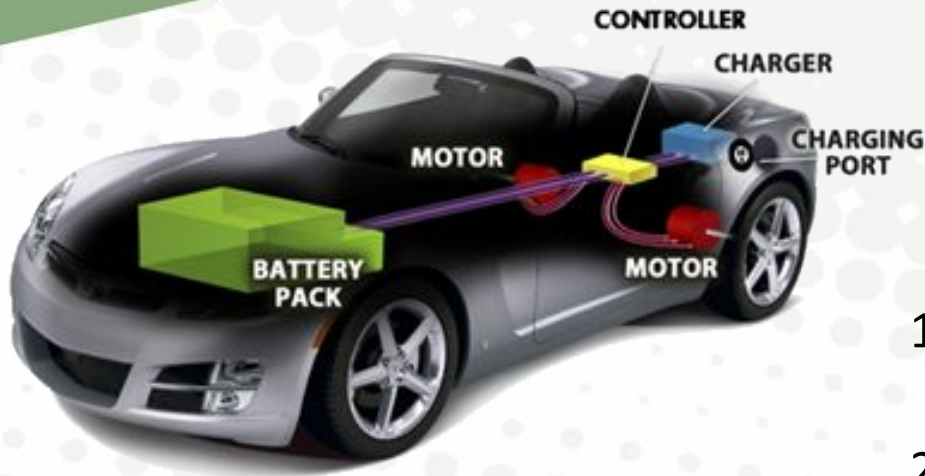


Contents

- What is an “Electric Car”;
- Advantages and Disadvantages of Electric Cars in front of Fuel Cars;
- Prototypes and working models of Electric Cars;
- Conclusion.



Electric Cars



- When the pedal is pushed;
1. The controller gathers energy from the battery,
 2. Controller delivers the appropriate amount of electrical energy to the motor.
 3. Electric energy transforms to mechanical energy.
 4. Wheels turn, vehicle moves.



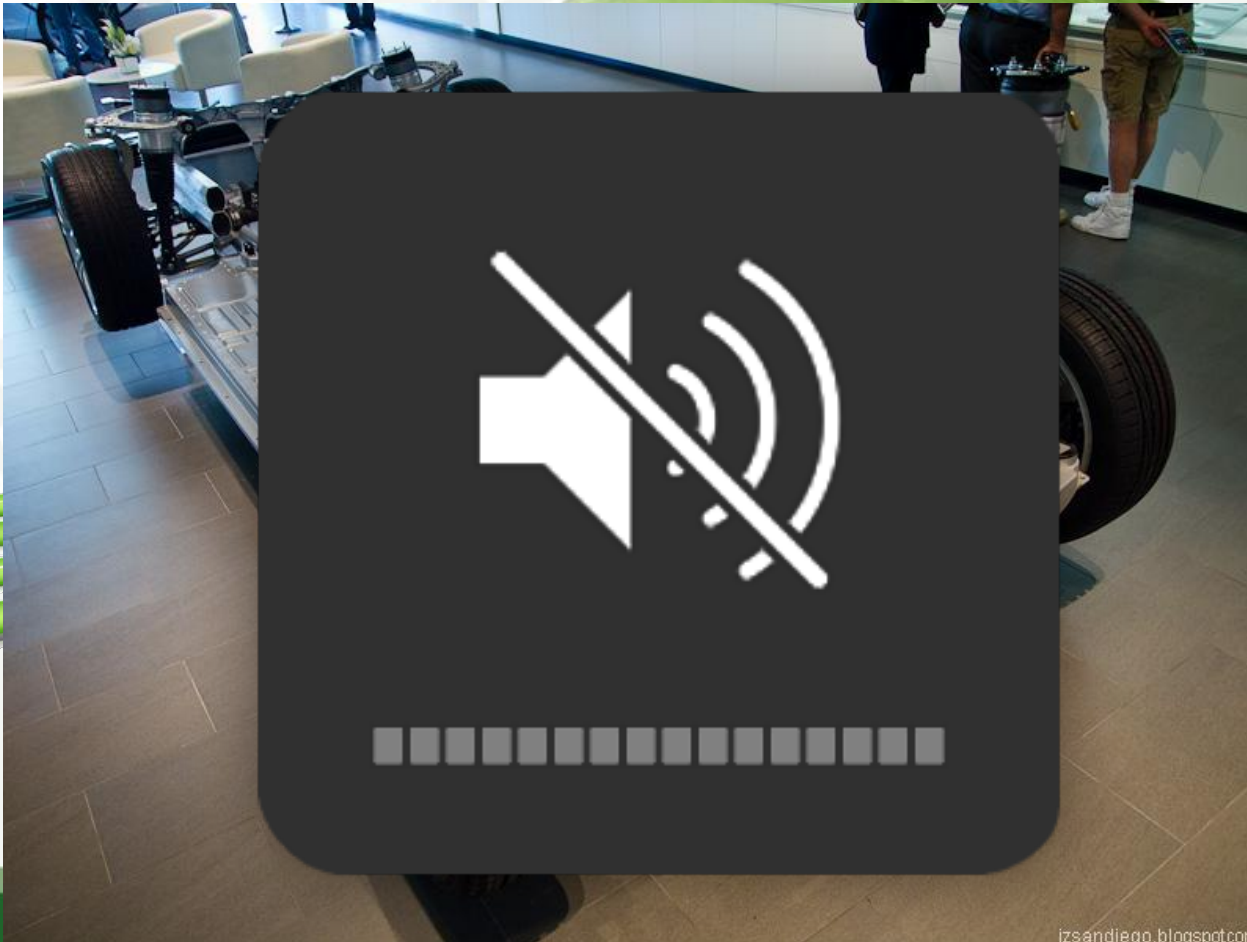
Electric Cars





Advantages

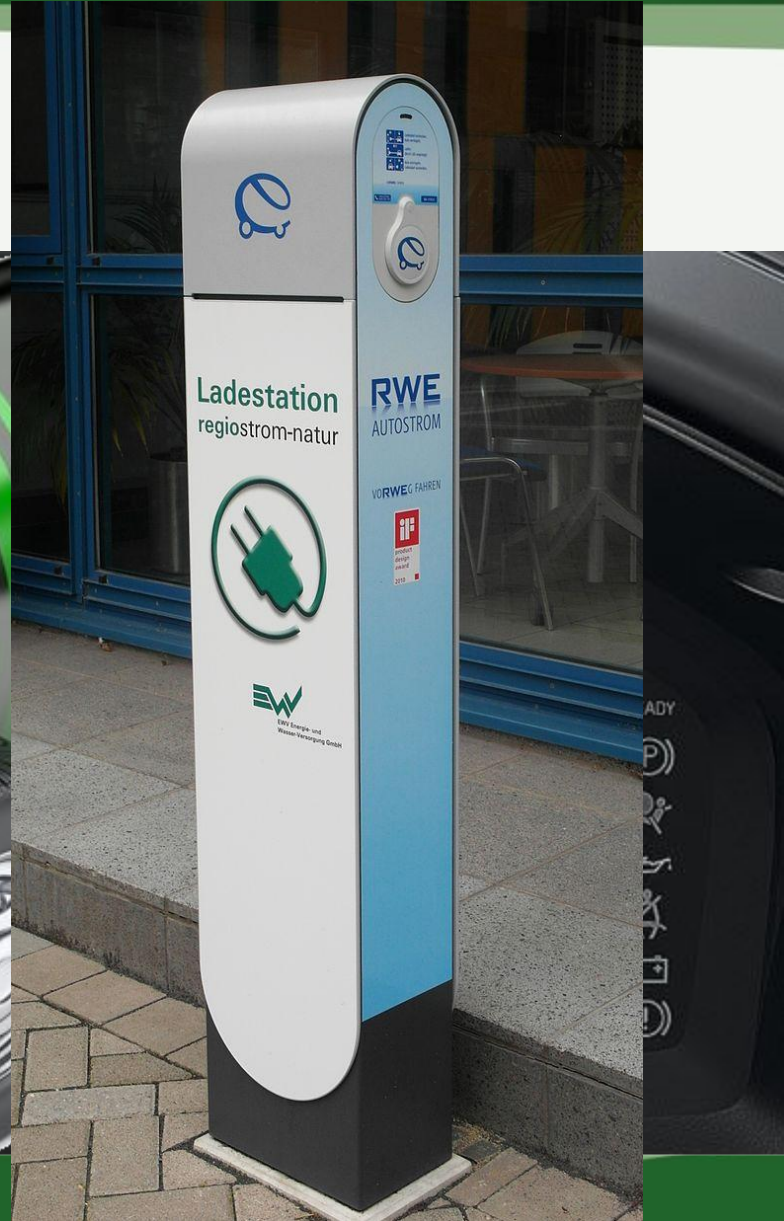
2 Environmentally friendly cars





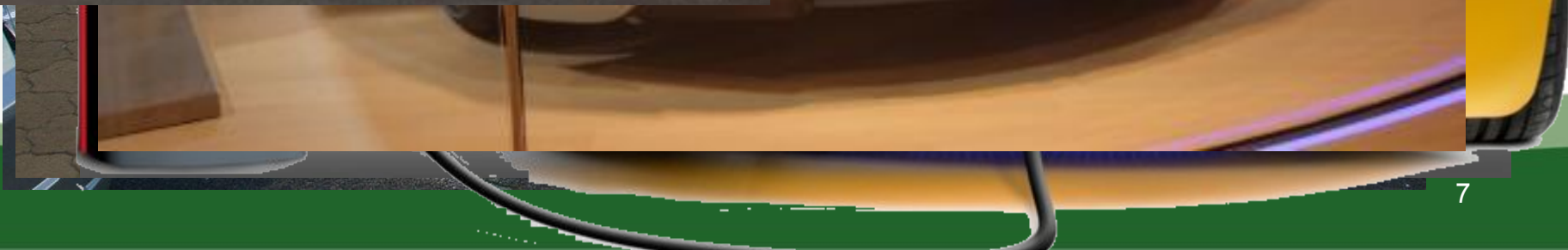
Disadvantages

3. Short periods of charging





Real Electric Cars and prototypes





Conclusion

Electric Cars are Future! Fossil fuels ends and we need to turn our world on the new way!





References

- <https://ru.wikipedia.org/wiki/Электромобиль> (15:19 22.04.2015)
- www.revolta-motors.ru/tesla-model-s/features/ (16:32 22.04.2015)
- <https://www.google.ru/search?q=электромобили-картинки> (17:11 22.04.2015)
- <http://www.ecar.dp.ua/info/106-kak-rabotaet-elektricheskiy-avtomobil.html> (18:11 22.04.2015)
- <http://www.ecar.dp.ua/info/100-plyusy-i-minusy-elektricheskikh-avtomobiley.html> (18:32 22.04.2015)
- <http://autogeek.com.ua/kak-eto-rabotaet-elektromobil-tesla/> (19:10 22.04.2015)
- <http://hybmotors.ru/kak-rabotaet-krutyashhiy-moment-v-elektromobile/> (20:12 22.04.2015)
- http://innoeco.ru/postsView/Elektromobil_-_preimuchestva_nedostatki_perspektivy_35.html (21:13 22.04.2015)



**THANKS YOU FOR
ATTENTION!**