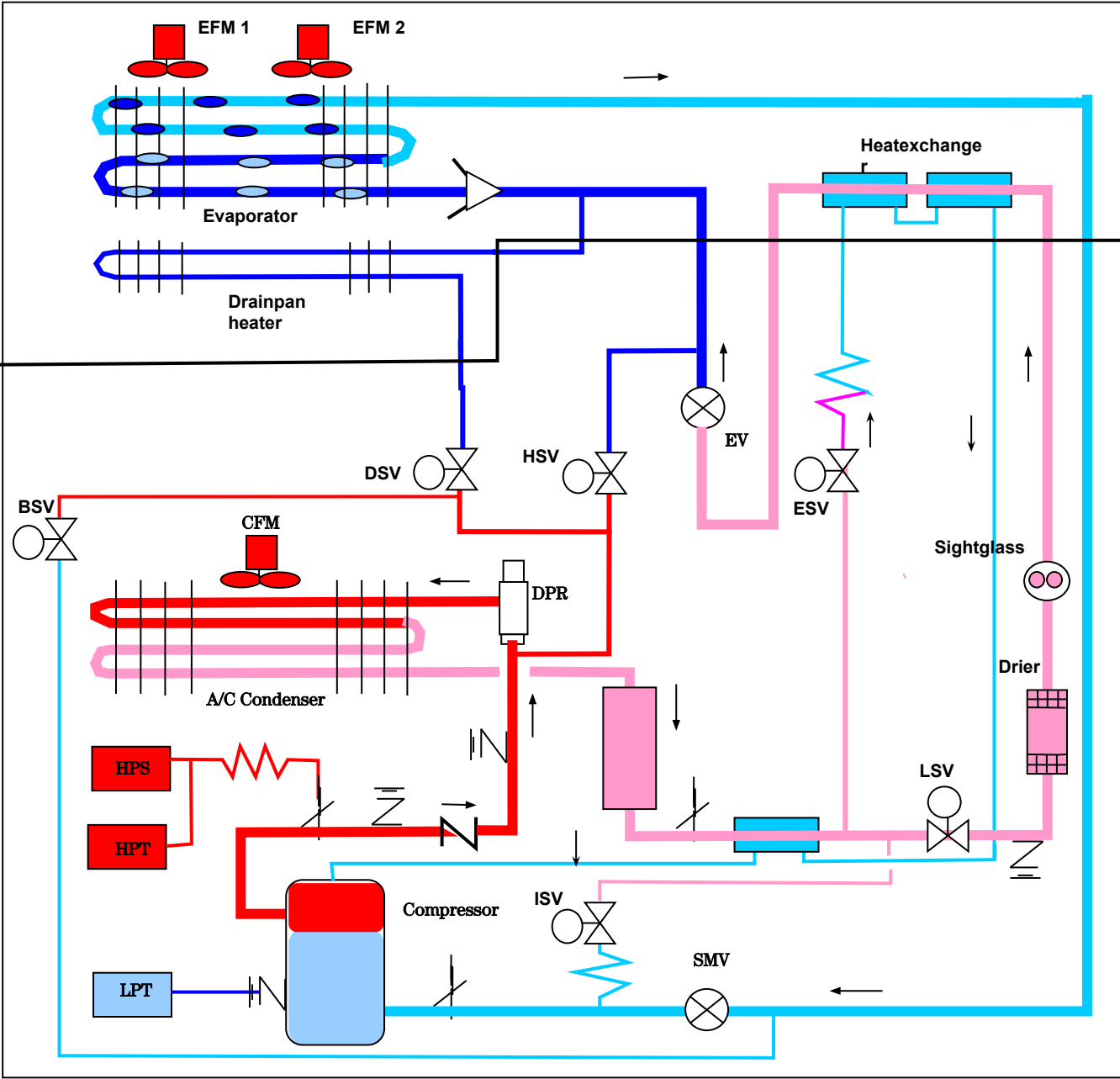




LXE10E

PIPING DIAGRAM

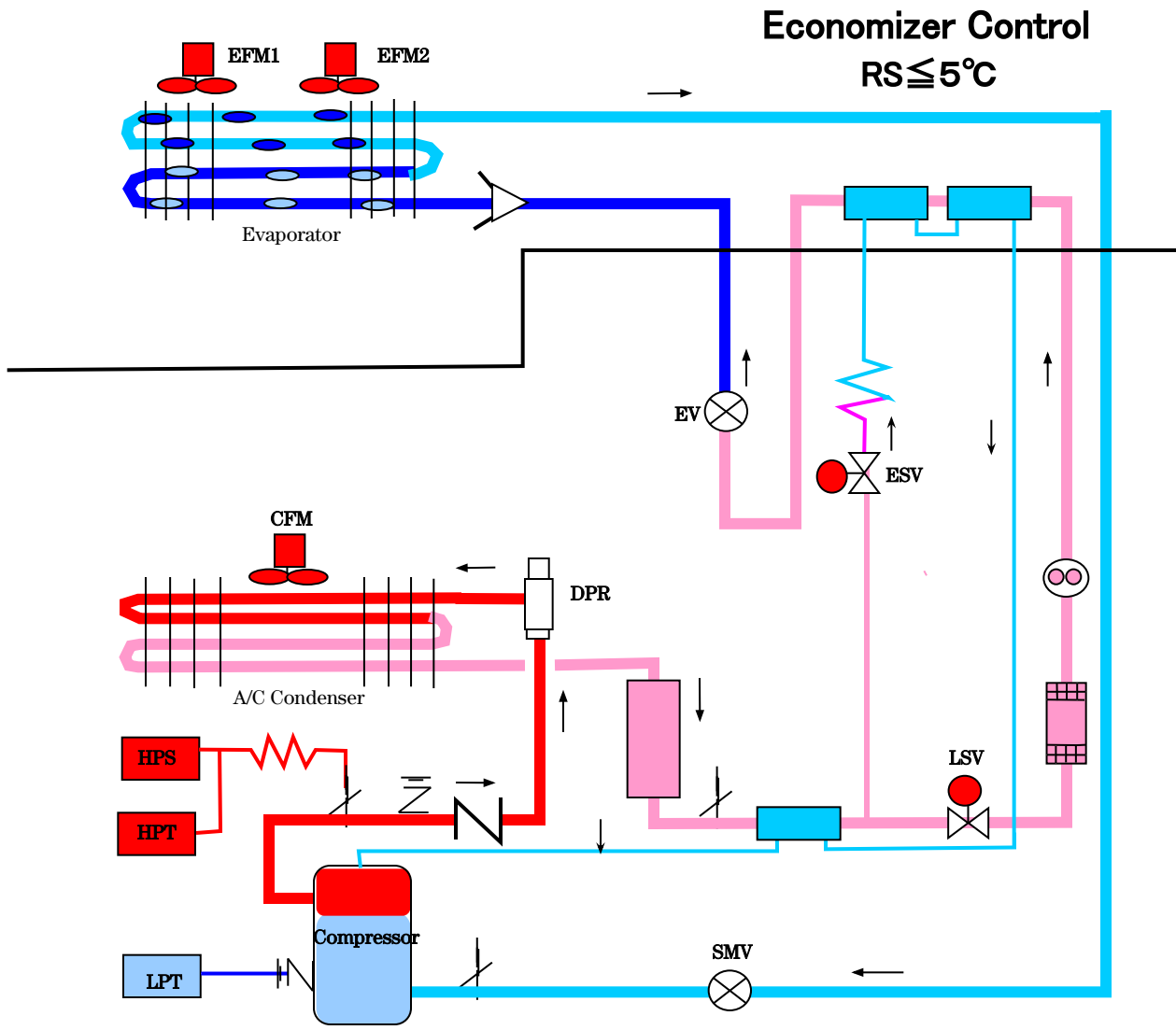
- **FROZEN & PULL-DOWN Operation**
- **CHILLED & P.FROZEN Operation**
in Capacity Control
- **DEFROST Operation**





FROZEN & PULL-DOWN Operation

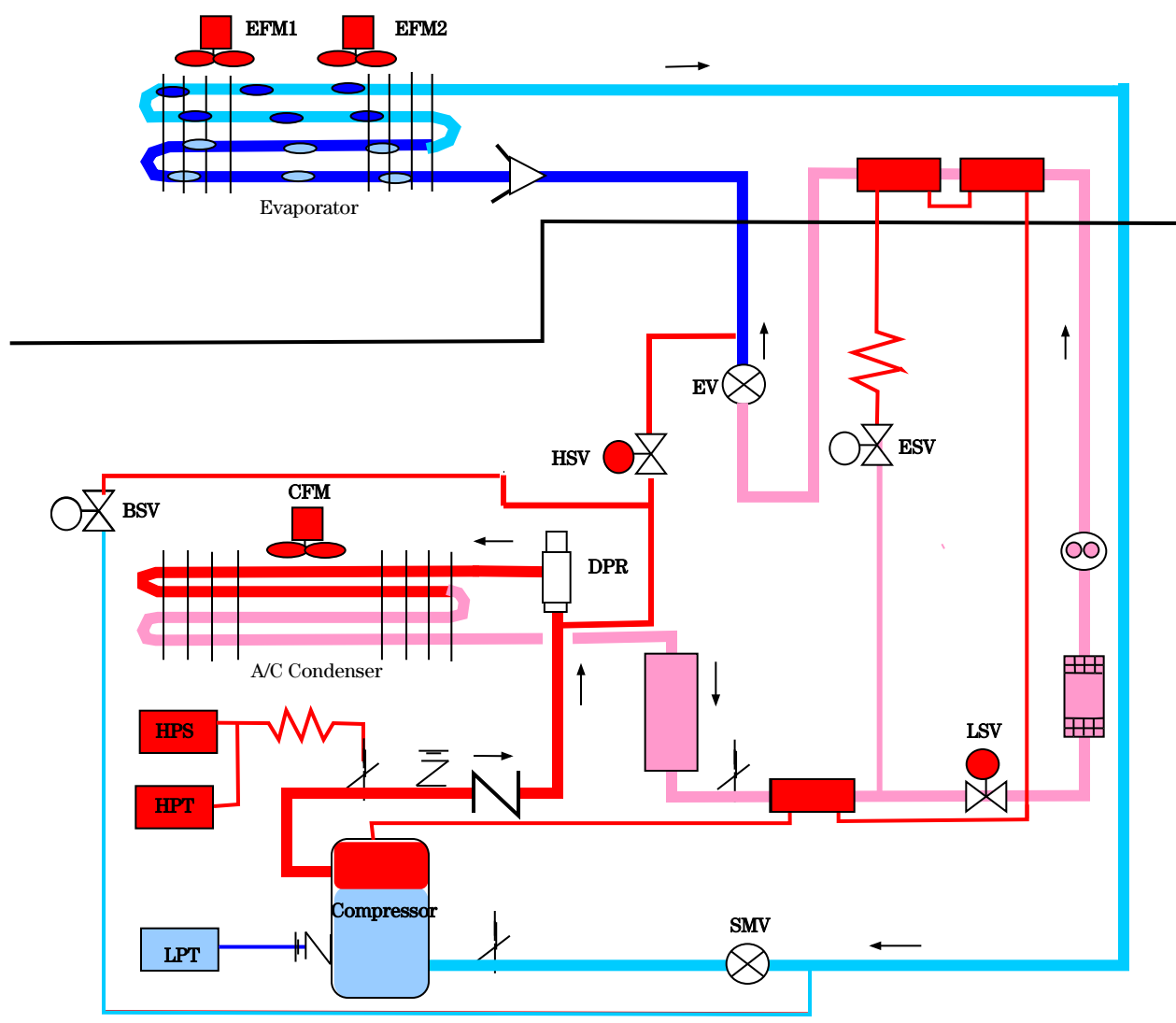
FROZEN & PULL-DOWN Operation





CHILLED & P.FROZEN Operation in Capacity Control

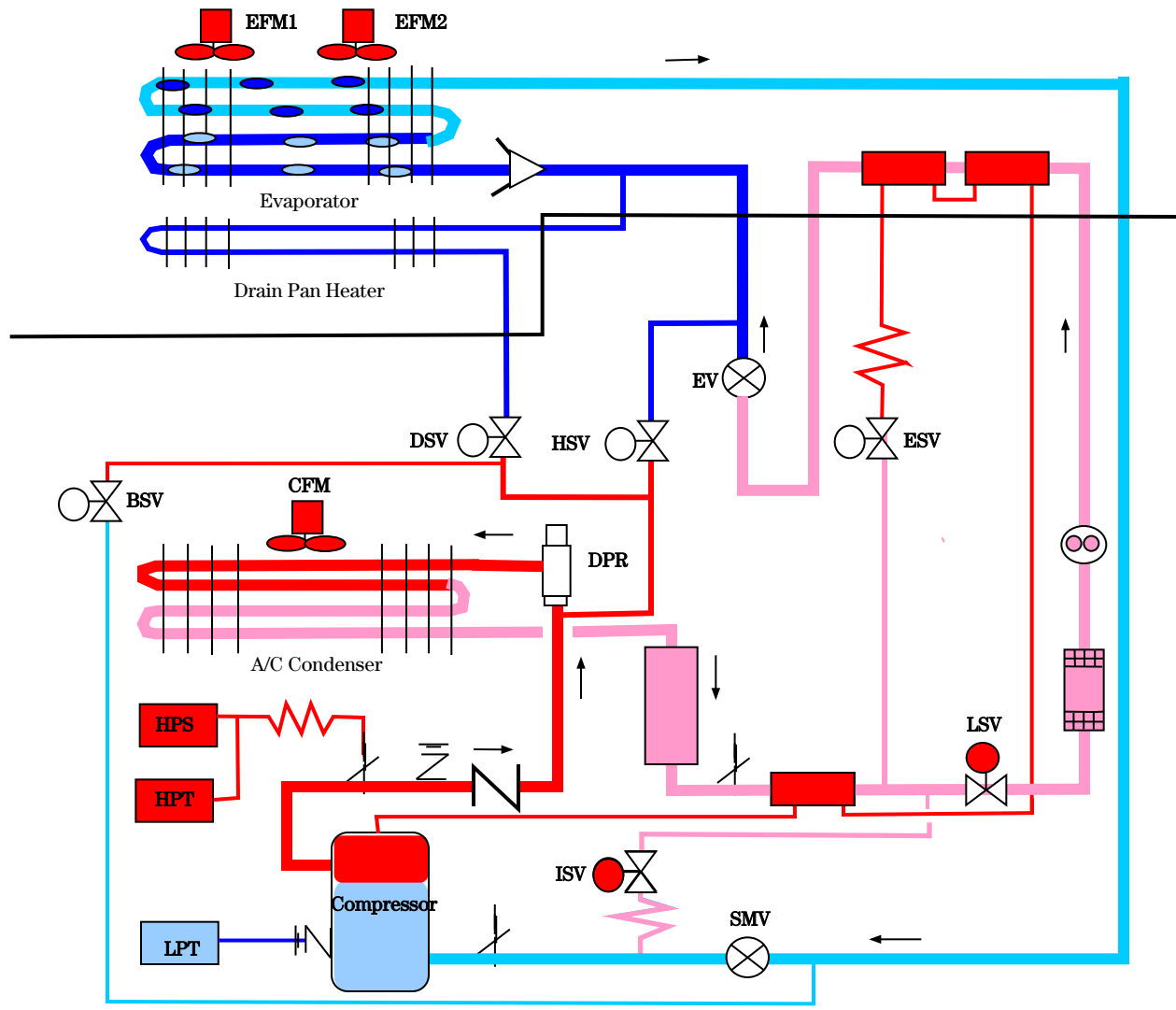
CHILLED & P.FROZEN Operation in Capacity Control





Injection Control

Injection Control





DEFROST Operation

DEFROST Operation

Release Control
CFM: OFF \leq HPT 1150 kPa

