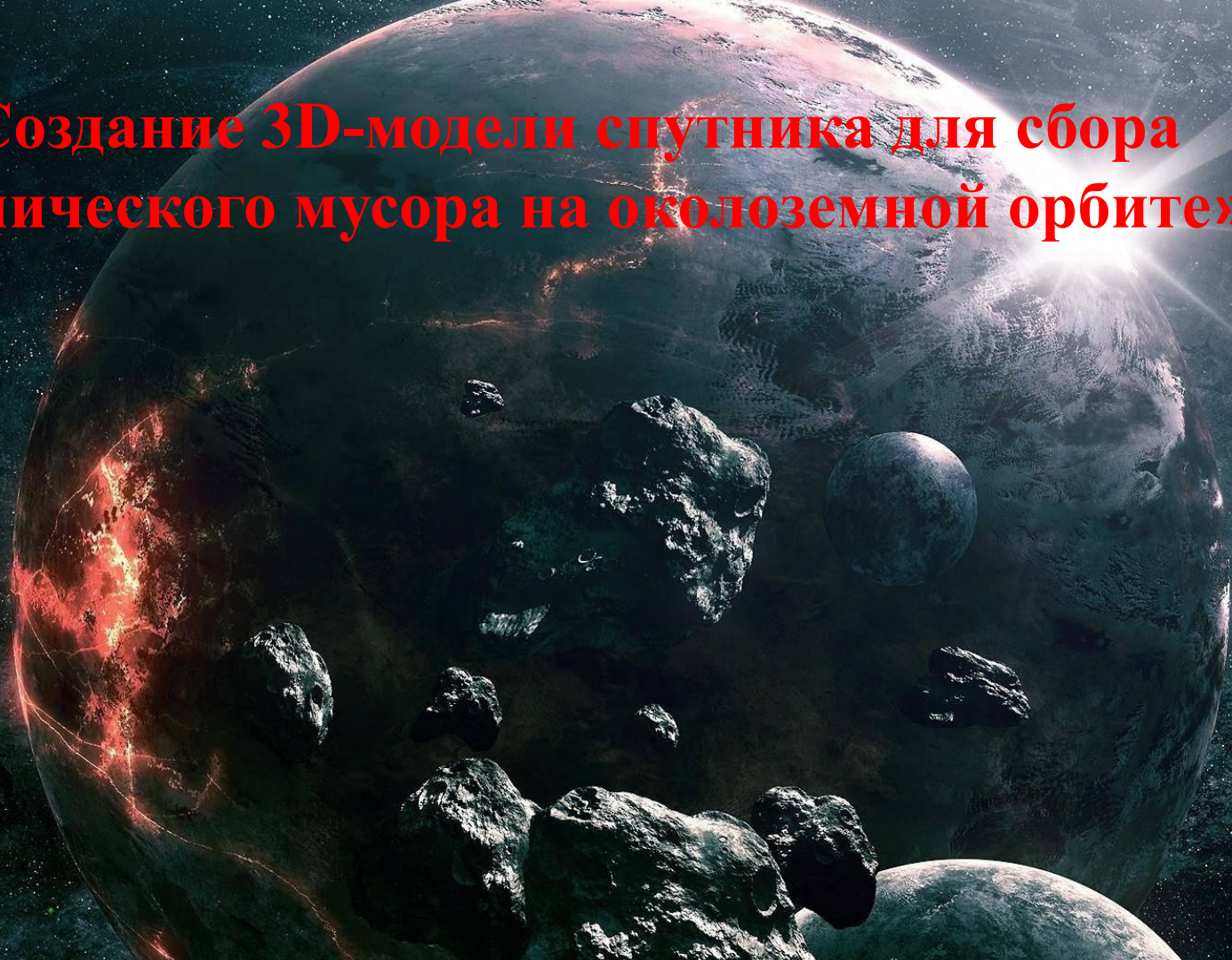


**«Создание 3D-модели спутника для сбора  
космического мусора на околоземной орбите»**









# ОСНОВНАЯ ЗАДАЧА ПРОЕКТА:



Создание модели спутника

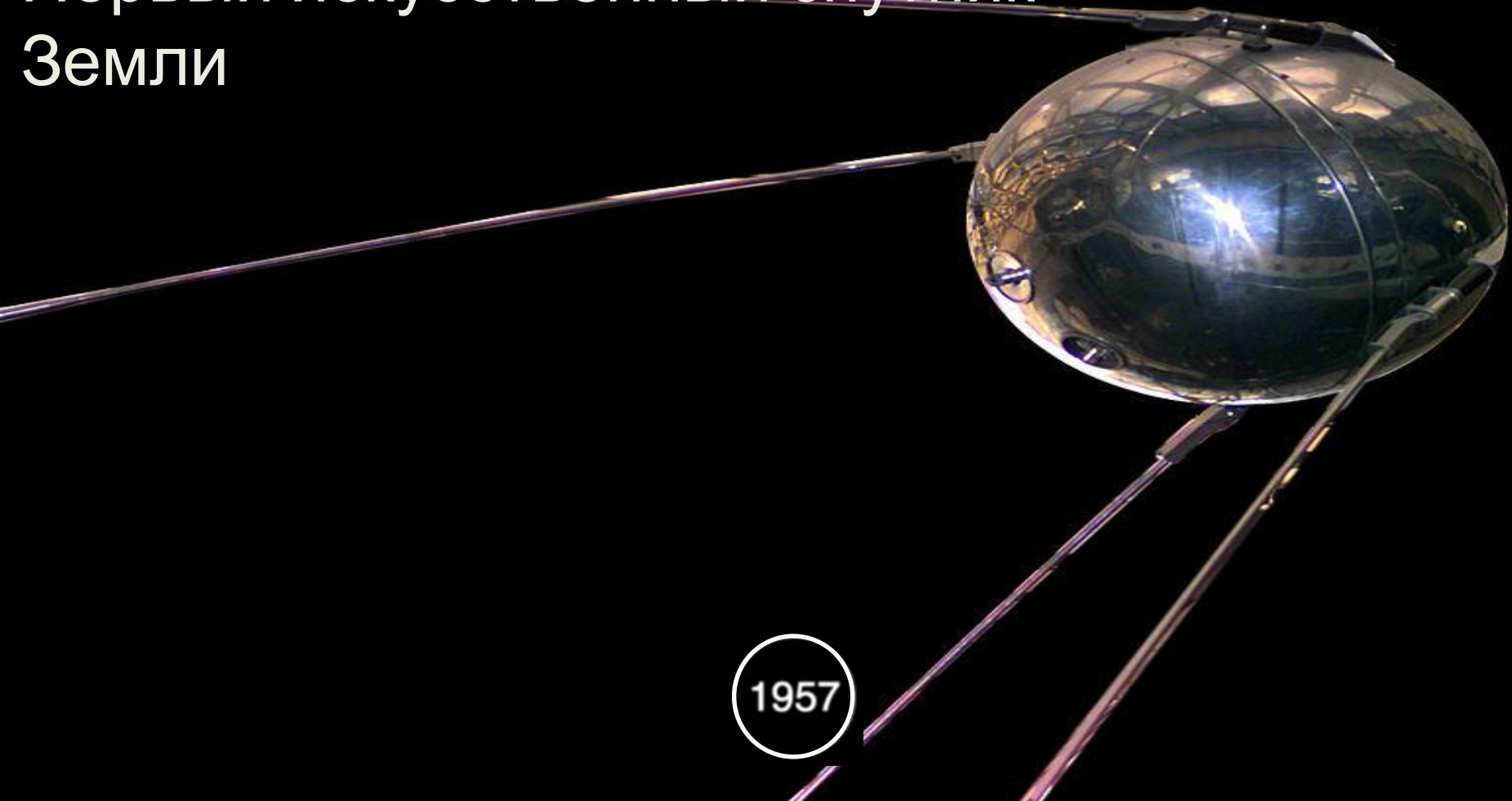
для очищения низкой околоземной орбиты  
от космического мусора



# СОСТАВ И ОПАСНОСТЬ КОСМИЧЕСКОГО МУСОРА

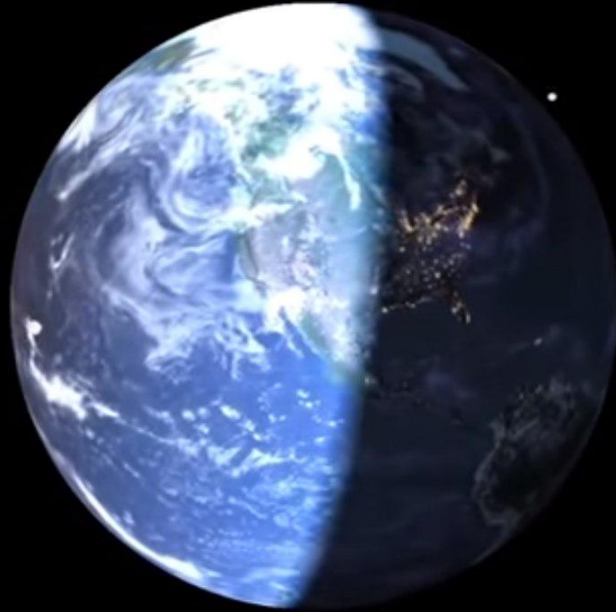


# Первый искусственный спутник Земли

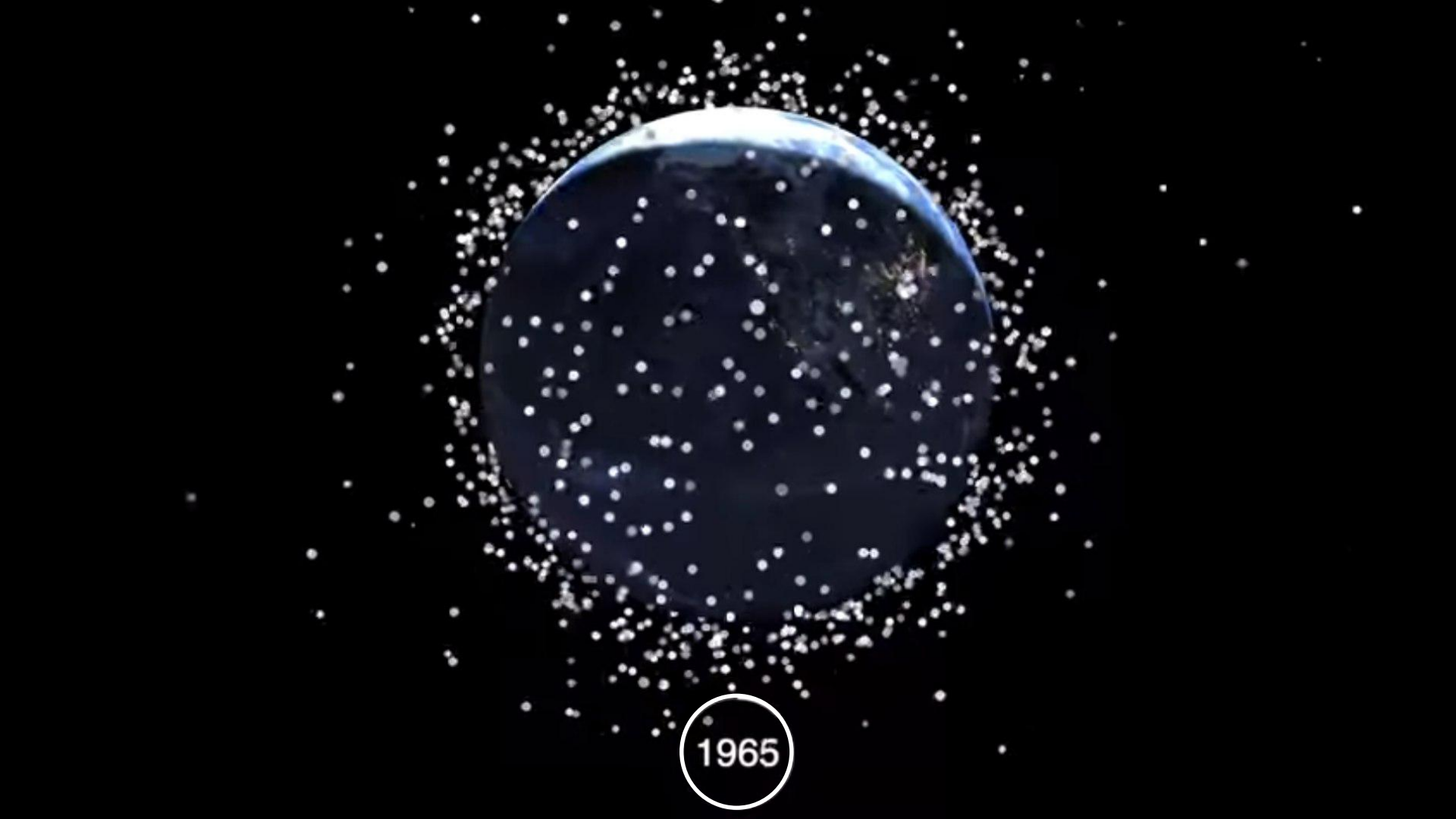


1957

# ИСТОРИЯ И РАЗВИТИЕ КОСМИЧЕСКОГО МУСОРА



1957



1965

A visualization of Earth surrounded by a dense cloud of space debris, with the year 1994 in a circle at the bottom. The Earth is shown in the center, with a blue and white atmosphere and a brownish-green landmass. It is surrounded by a thick, spherical cloud of small, white, irregularly shaped objects representing space debris. The background is black with scattered white stars of varying sizes.

1994



A visualization of a celestial body, possibly a planet or star, surrounded by a dense field of smaller objects, likely asteroids or comets. The central body is a bright, textured sphere with a blueish-white hue. It is surrounded by a vast field of smaller, white, point-like objects, some of which form a distinct ring or disk around the central body. The background is black. At the bottom center, the year "2015" is displayed in white text inside a white circle.

2015



РЕШЕНИЕ ПРОБЛЕМЫ



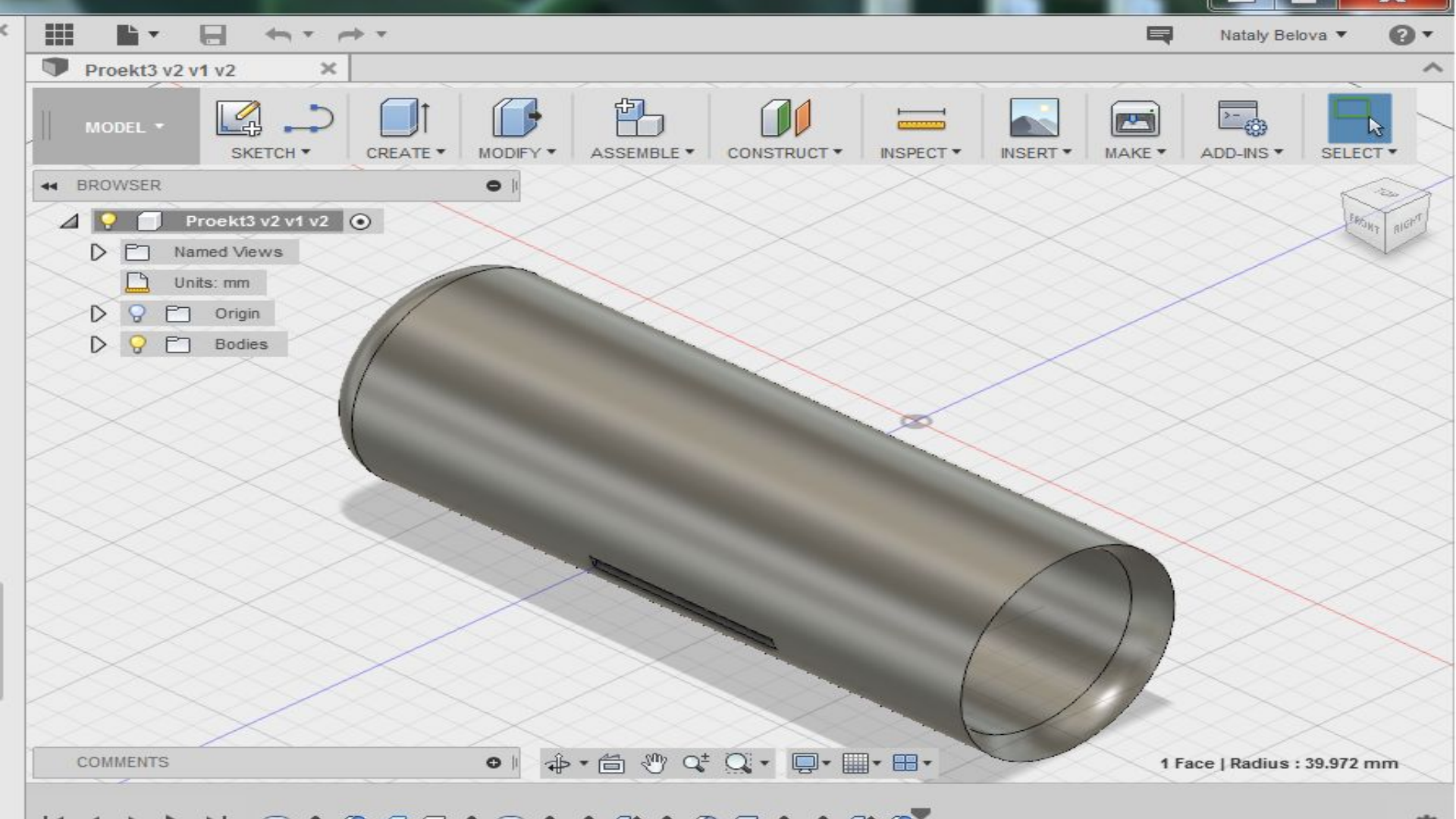
**F** AUTODESK® FUSION 360™





AUTODESK<sup>®</sup> FUSION 360<sup>™</sup>





MODEL



SKETCH



CREATE



MODIFY



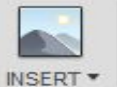
ASSEMBLE



CONSTRUCT



INSPECT



INSERT



MAKE



ADD-INS



SELECT

BROWSER

Proekt3 v2 v1 v2

Named Views

Units: mm

Origin

Bodies

COMMENTS

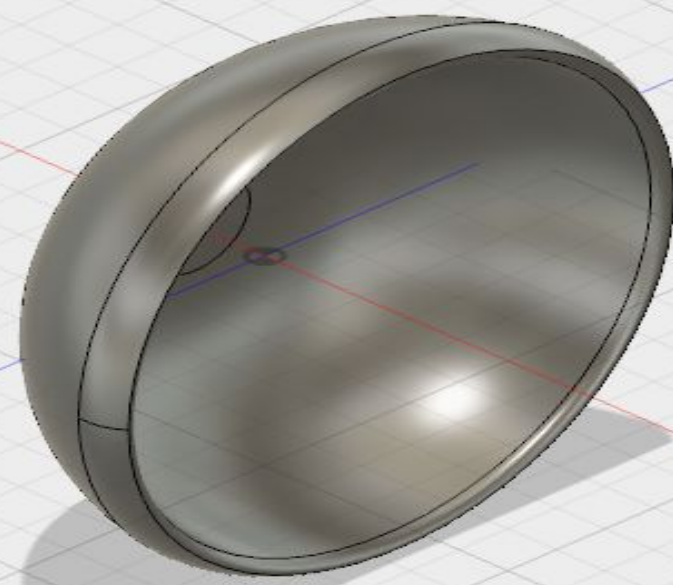
1 Face | Radius : 39.972 mm

MODEL

- SKETCH
- CREATE
- MODIFY
- ASSEMBLE
- CONSTRUCT
- INSPECT
- INSERT
- MAKE
- ADD-INS
- SELECT

BROWSER

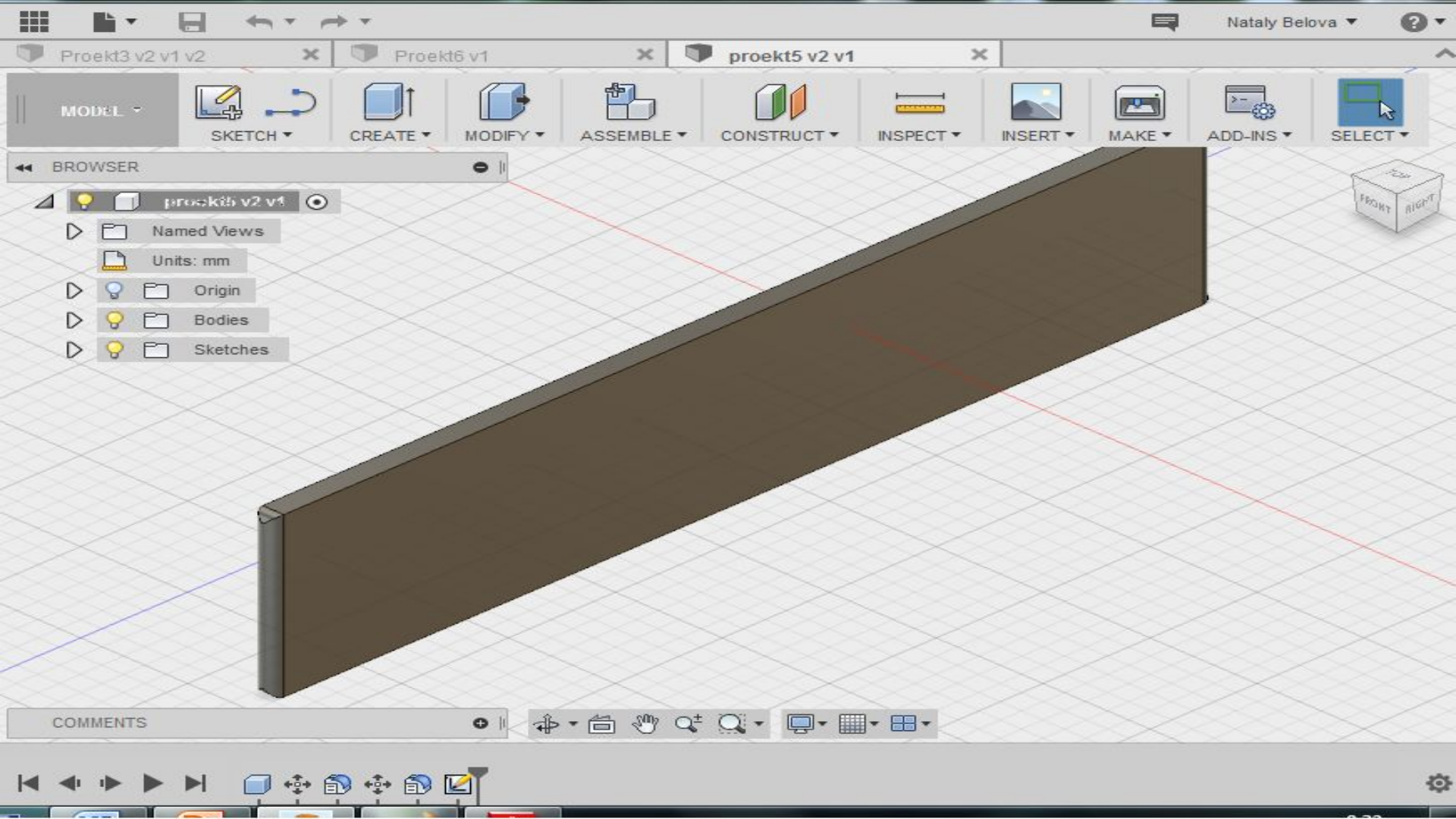
- Proekt6 v1
  - Named Views
  - Units: mm
  - Origin
  - Bodies

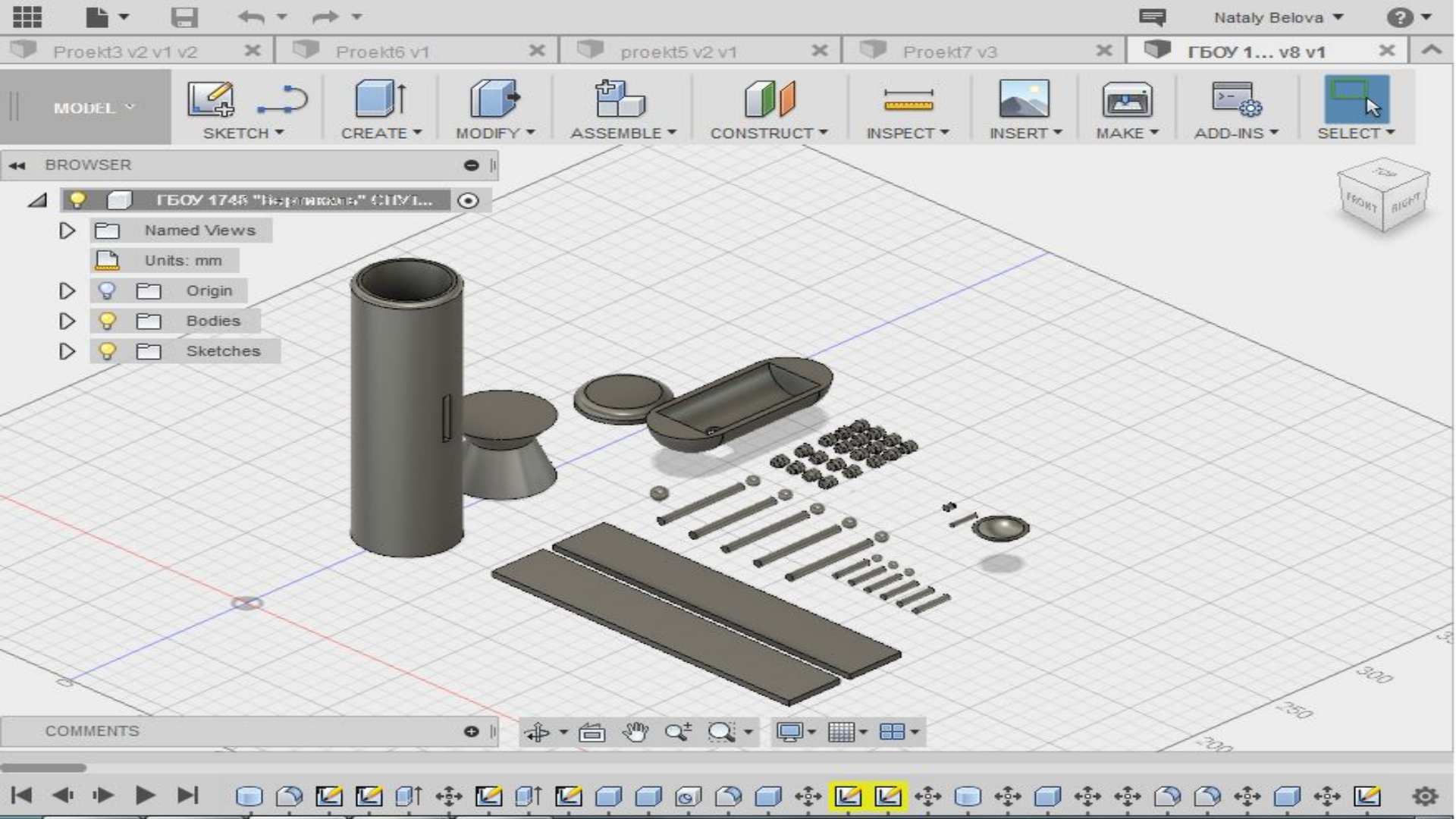


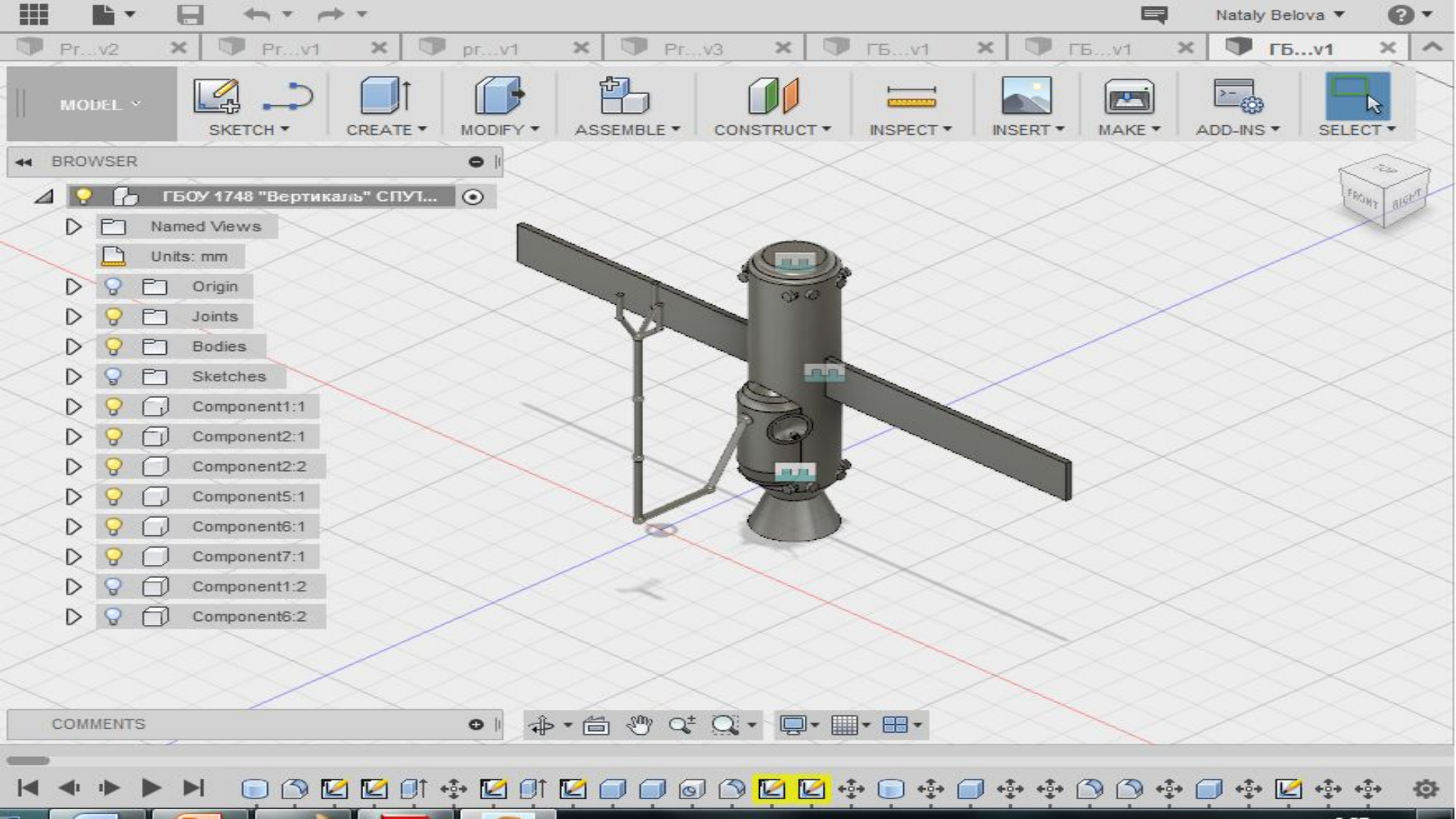
COMMENTS

Navigation icons: Home, Back, Forward, Refresh, Undo, Redo, Zoom, Pan, Rotate, Viewports





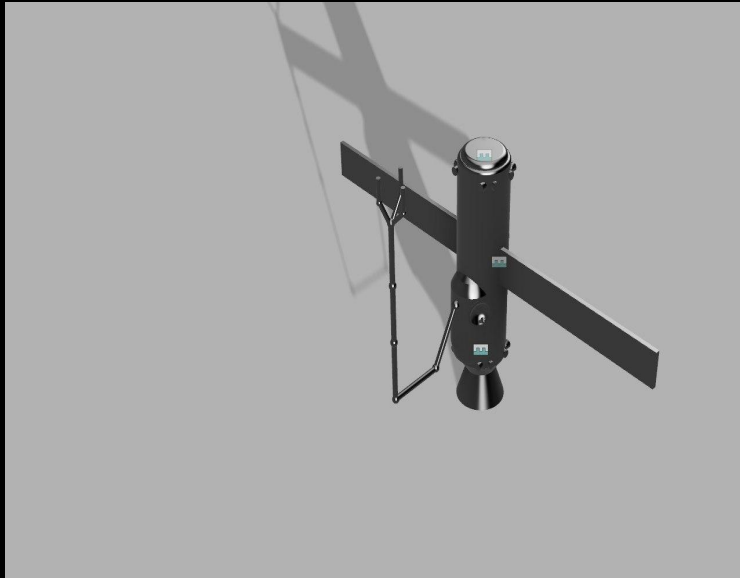








# ОСОБЕННОСТИ ПРЕИМУЩЕСТВА СПУТНИКА ” ССКМОЗО-1”



# ПРИНЦИП РАБОТЫ СПУТНИКА

