

Autodesk Inventor® Professional

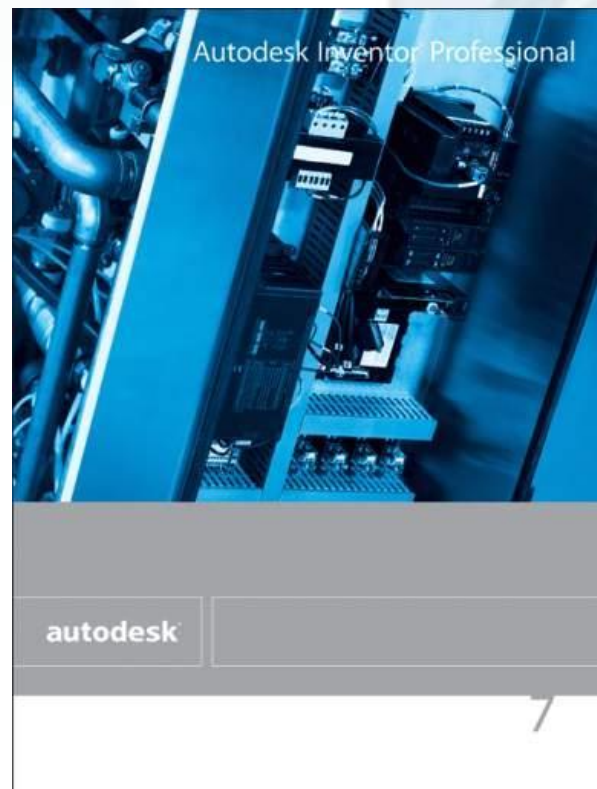
*Design, Validate and Document
the Complete Machine*

Introduction

Introducing Autodesk Inventor Professional

Bringing cross-functional engineering teams together to design, validate, and document the complete product in 3D.

- Design process automation software built on Autodesk Inventor Series. Includes:
 - Autodesk Inventor
 - Autodesk Mechanical Desktop, including AutoCAD Mechanical
 - Task specific applications



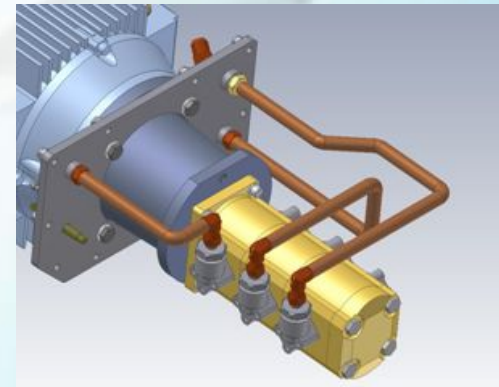
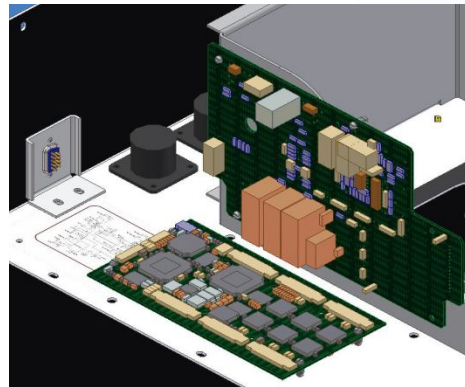
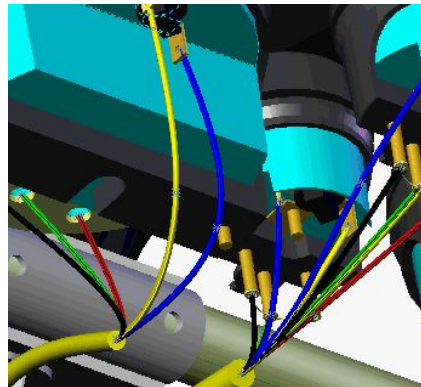
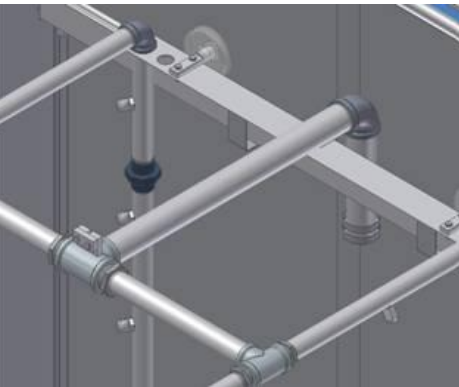
Autodesk Inventor Professional: Task Specific Applications

Available today in release 7

- Tube & Pipe design
- IDF (Printed Circuit Board file format) import

Vision

- Cable & Harness
- Diagramming – wire and fluid system schematics



With Autodesk Inventor Professional you ...

- Minimize design errors and reduce costs by ensuring **all parts fit** in the 3D model, rather than a prototype.
- Utilize **one model** to communicate all aspects of the design.
- Provide downstream users with **easy access** to a complete data set.
- Ensure that design changes are reflected throughout the **entire process** and for all users.

How? By creating a complete product definition that is easily shared between cross functional teams.

How is Autodesk Inventor Professional Unique?

- Built on Autodesk Inventor Series
- Includes a full Autodesk Inventor Series license
- Does NOT require costly add-ons
 - One value price provides all the applications out of the box
 - Eliminates the added expense typically imposed for additional modules
- Simplifies the process of configuring a complete solution
 - Work with a single vendor
 - Purchase as a single product
 - Receive support, integration and training from one source



With Tube and Pipe you can...

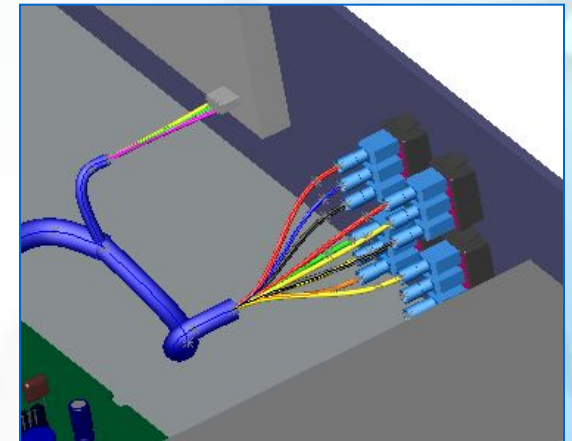
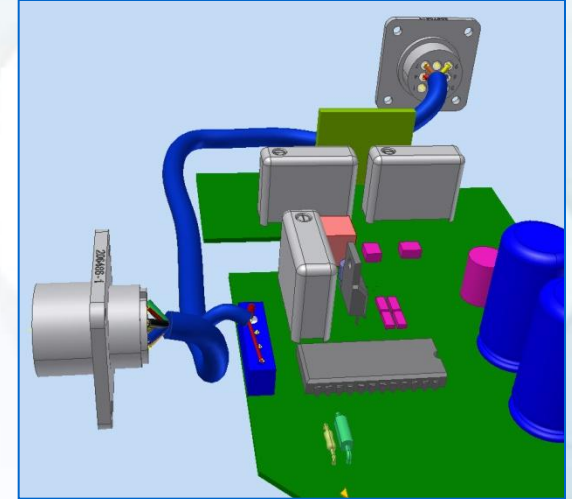
- Quickly create tubes and pipes in Inventor assemblies and maintain their relative position to other geometry.
- Automatically adhere to design rules, thereby minimizing errors.
- Utilize standard part libraries, assuring manufacturability and adherence to standards.
- Create your own libraries or use existing ISO, ANSI, JIS and DIN libraries.

With Printed Circuit Board import you can ...

- Import PCB outline and component height data directly into Inventor as a part or assembly.
- Decrease your design time by importing accurate PCB data rather than recreating.
- Improve design quality by ensuring mounting hardware is accurately placed, connectors and other components are accessible, and using keep-out areas to avoid part interference.
- Accurately locate board connectors for cable and harness design.

Autodesk Inventor Professional Vision

Further reduce the effort and expense of completing your machine design process by including Cable and Harness models.



3D Cable and Harness design enables you to...

- Create intelligent 3D models of wire harnesses and cables.
- Design wiring without waiting for a hardware prototype.
- Calculate exact bundle diameters and wire lengths in the context of a 3D model.
- Automatically generate BOM and Wire Lists, reducing human error.
- Reduce costs and time associated with ECOs.

Autodesk Inventor Professional Helps You...

- Automate critical development tasks, accelerating the design cycle and increasing productivity and quality.
- Remove barriers between cross functional teams.
- Simplify the process of configuring, implementing, and managing a complete machine design solution.





advanced micro systems
"the cadd productivity specialists"

autodesk®

Visit the Autodesk Inventor Professional Website for more information:

www.amsystems.com