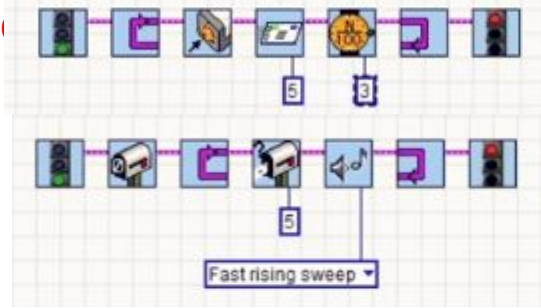


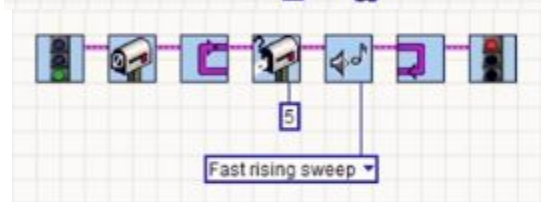
**БЛЮТУЗ. ДВИЖЕНИЕ ПО
КОМПАСУ.**

ДВИЖЕНИЕ ПО ЛЕСЕНКЕ.

6.1. Блютуз. Копирование



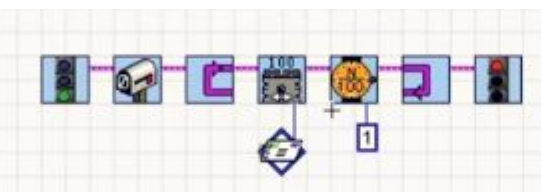
NXT01 ПРД



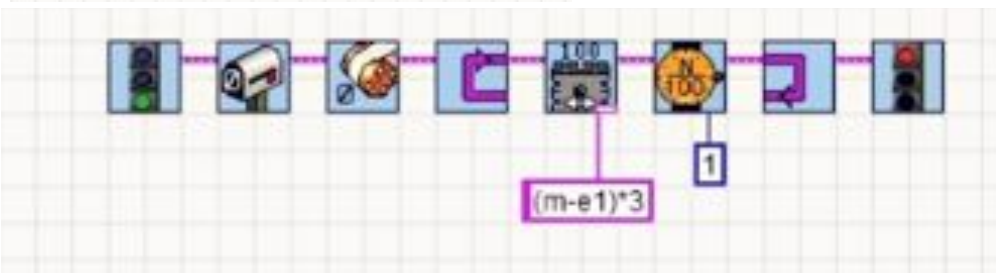
NXT02 ПРМ



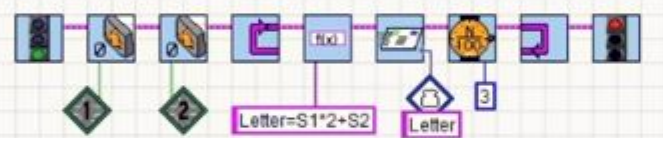
NXT01 ПРД



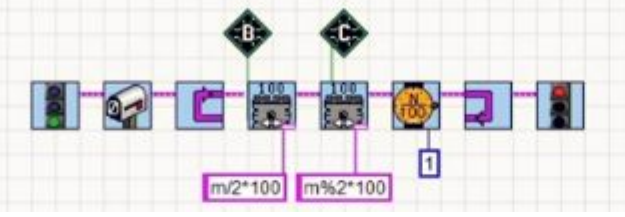
NXT02 ПРМ



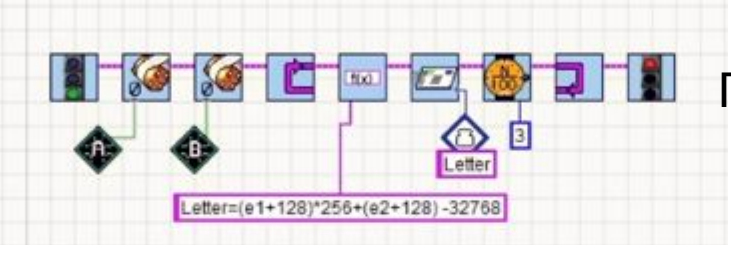
6.2. Удаленное управление роботом



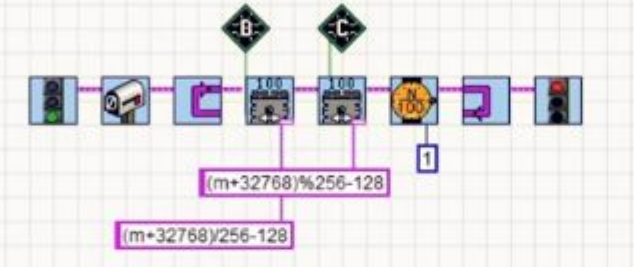
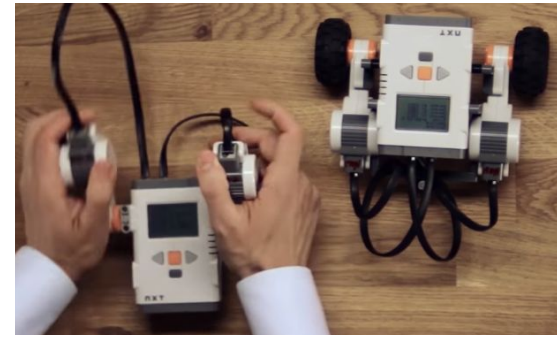
ПРД



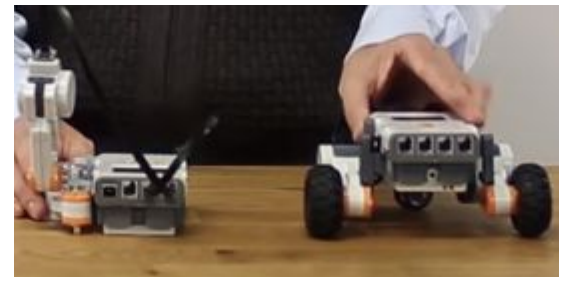
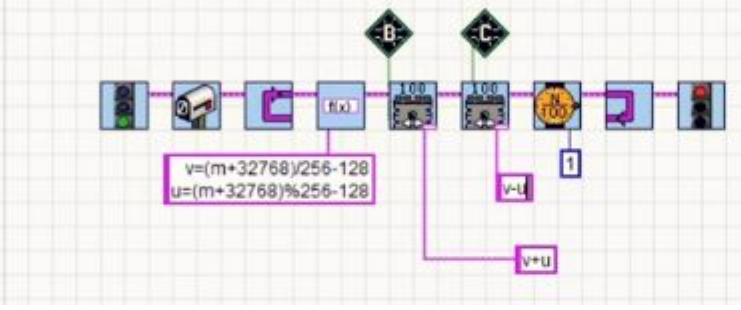
ПРМ



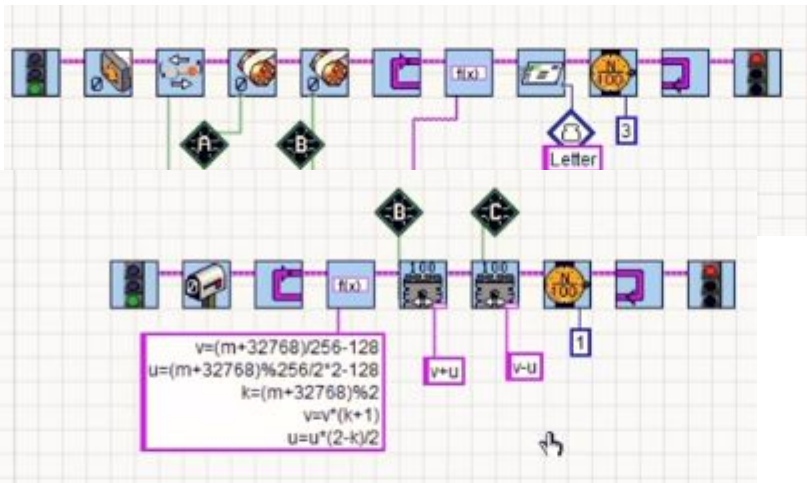
ПРД



ПРМ

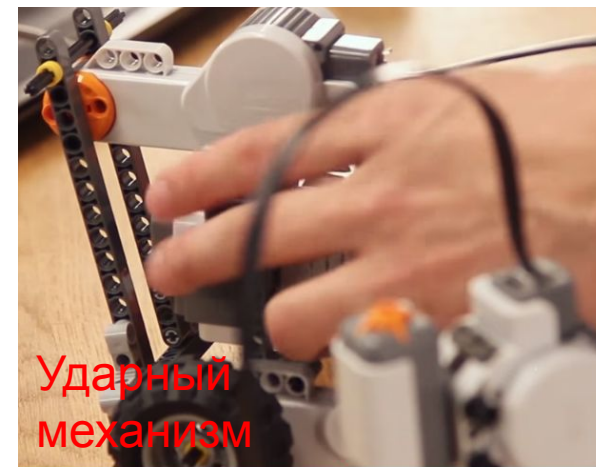
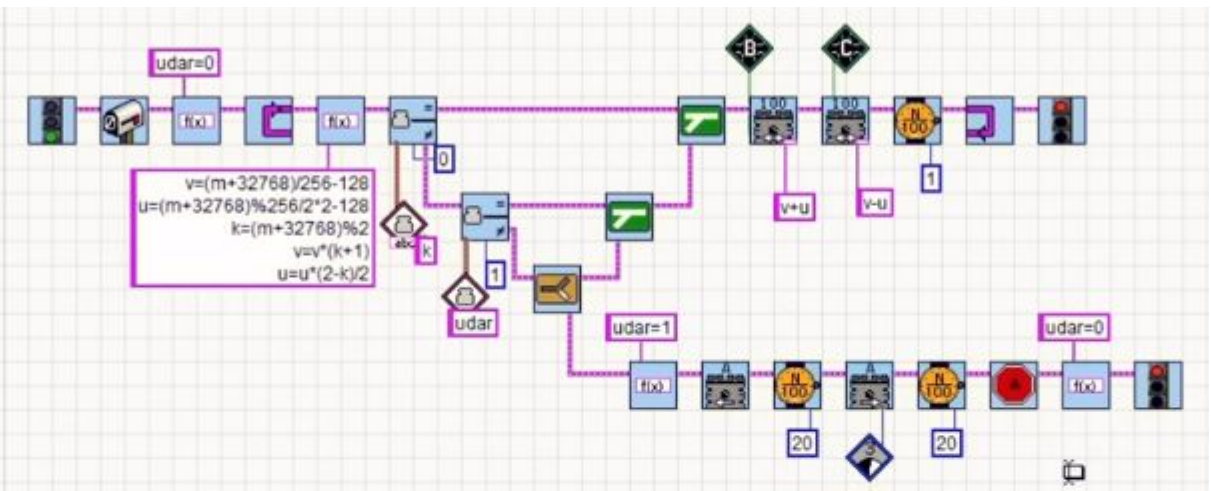


6.3. управляемый футбол роботов

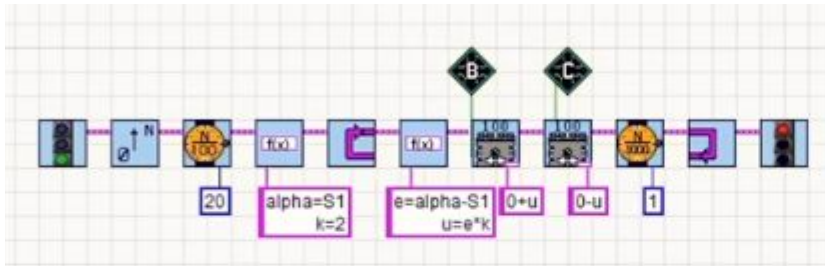


ПР
Д

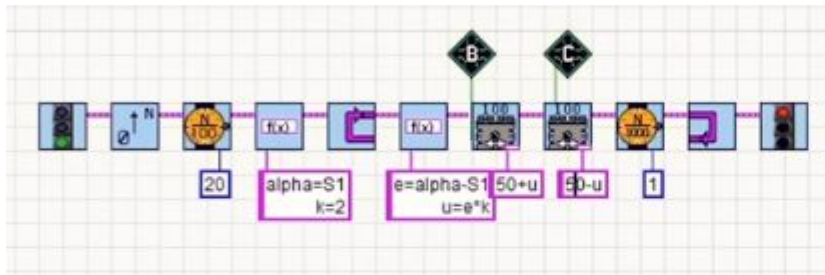
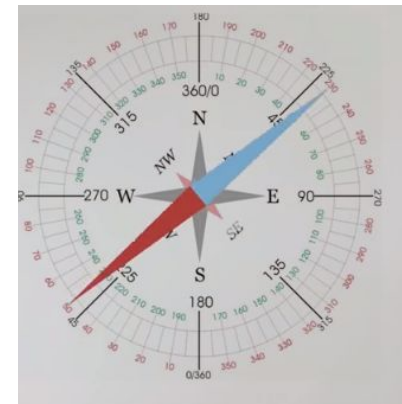
ПРМ +
Турбо



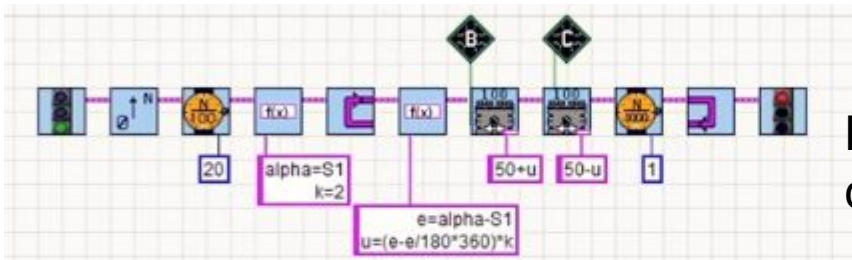
6/4/ Движение по компасу



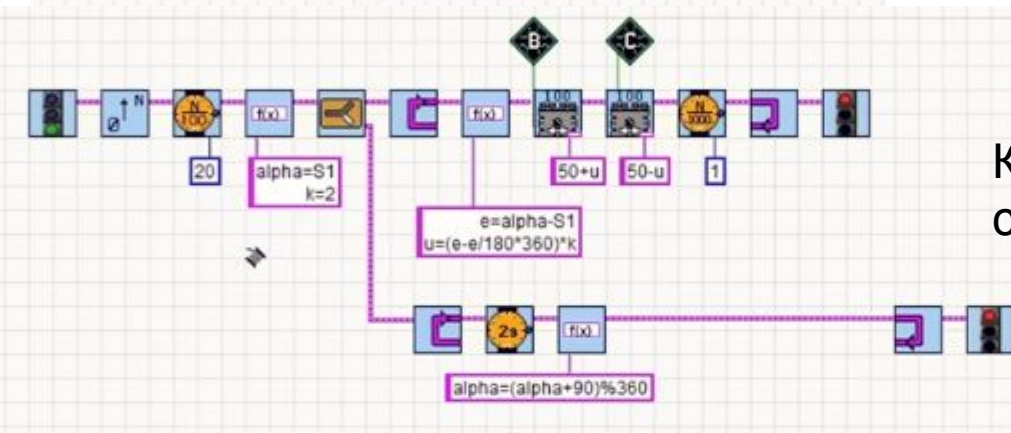
Стоит на месте



Двигается 50



Корректное движение на север



Корректное движение на север с поворотом на 90 о

ROBOTC Local Start Page

NXT Brick Download

NXT Bricks Currently Connected via USB

Brick	Address
NXT02	USB0::0x0694::0x0002::001653190E57::RAW

Refresh Lists

Rename NXT

F/W Download

Message Log

Waiting for brick to enter 'boot' mode. 12 seconds elapsed

Downloading firmware file "C:\Program Files (x86)\Robotics\Local\ROBOTC Development Environment\Firm...

Корректировка
компаса

File Edit View Robot Window Help

Function Library

- _C Constructs
- Battery & Power Control
- Bluetooth
- Buttons
- Datalog
- Debug
- Display
- File Access
- Math
- Miscellaneous
- Motors
- MultiRobot
- Semaphore
- Sensors
- Sensors I2C
- Sound
- Strings
- Task Control
- Timing
- Undefined Entries
- User Defined

LocalStartLEGO.htm | hitechnic-compass-test2.c

```
29  * Xander Soldaat (xander_at_botbench.com)
30  * 25 November 2009
31  * version 0.3
32  */
33
34  #include "drivers/hitechnic-compass.h"
35
36  // These measurements are in millimeters.
37  #define WHEELDIST 160 // distance between the wheels
38  #define WHEELSIZE 56 // diameter of the wheels
39
40  #define MOTORSPEED 4 // speed at which motors should run
41
42  // Lets you
43  // the init
44  task timeMe
45  wait1Msec
46  PlaySound
47  while (bSoundActive) EndTimeSlice();
48  }
49
50  // Pulse a big "*" at the bottom of the screen to show that it's
51  // doing something.
52  task showPulse() {
53  while (true) {
54  nxtDisplayCenteredBigTextLine(6, " ");
55  wait1Msec(400);
```

Program Debug

Download Progress

Activity Type

0%

Closing communications link 'NXT-Real'

Cancel

Errors

File "hitechnic-compass-test2.c" compiled on Jul 02 2015 15:34:00

Движение
по
лесенке

