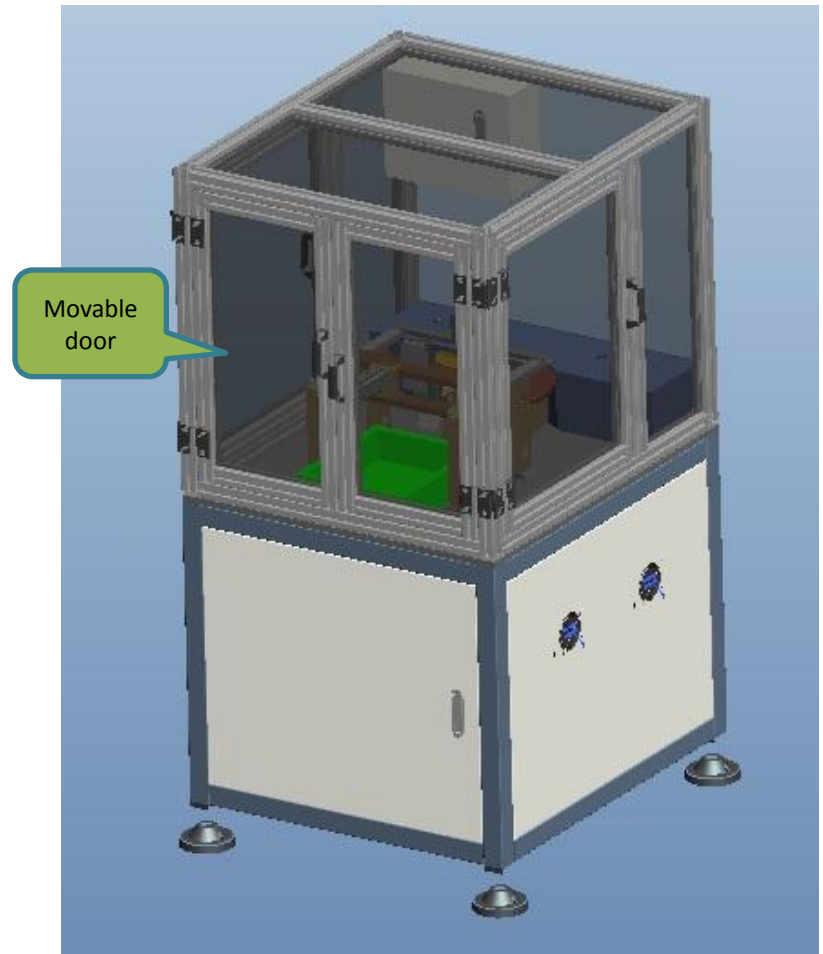
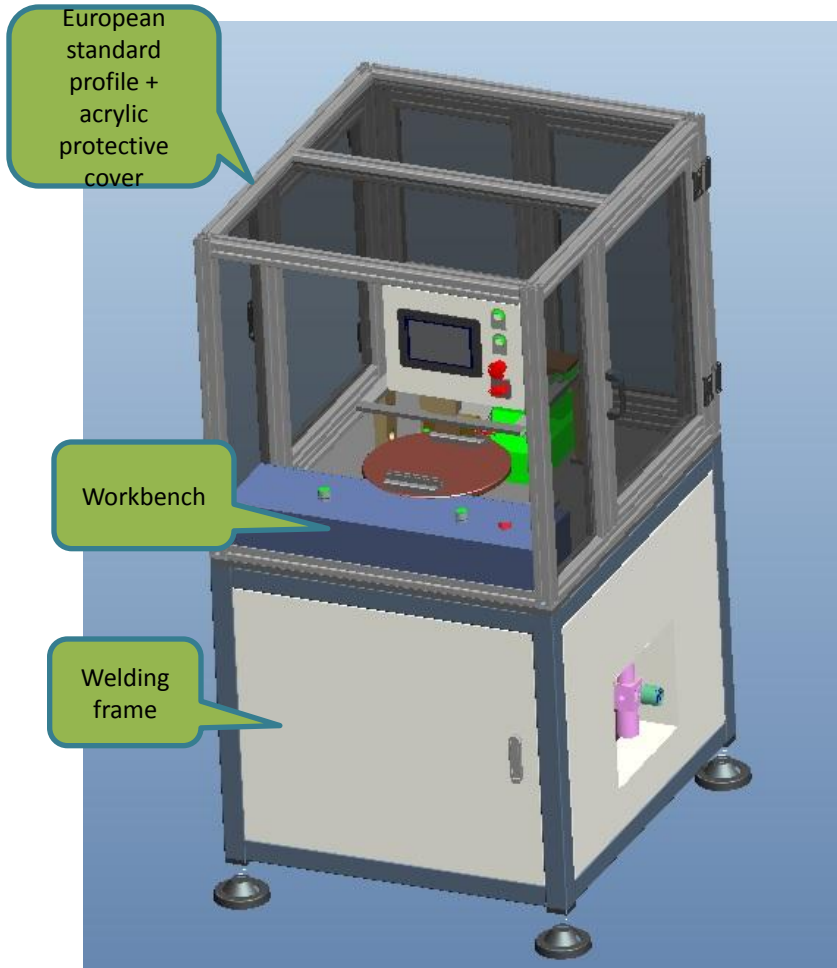
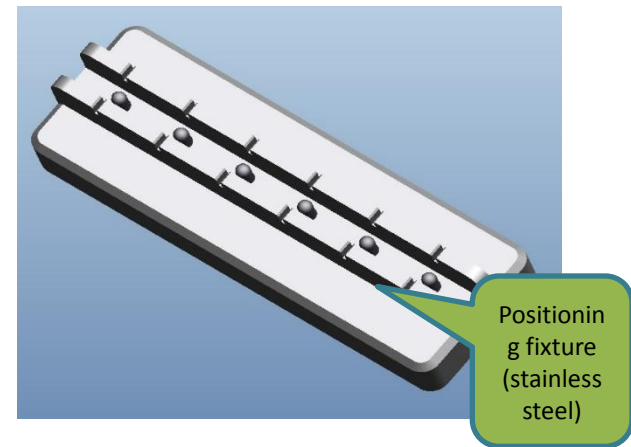
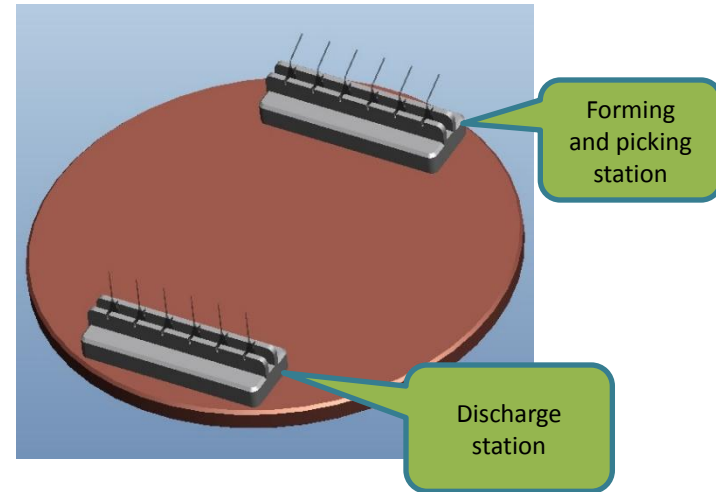
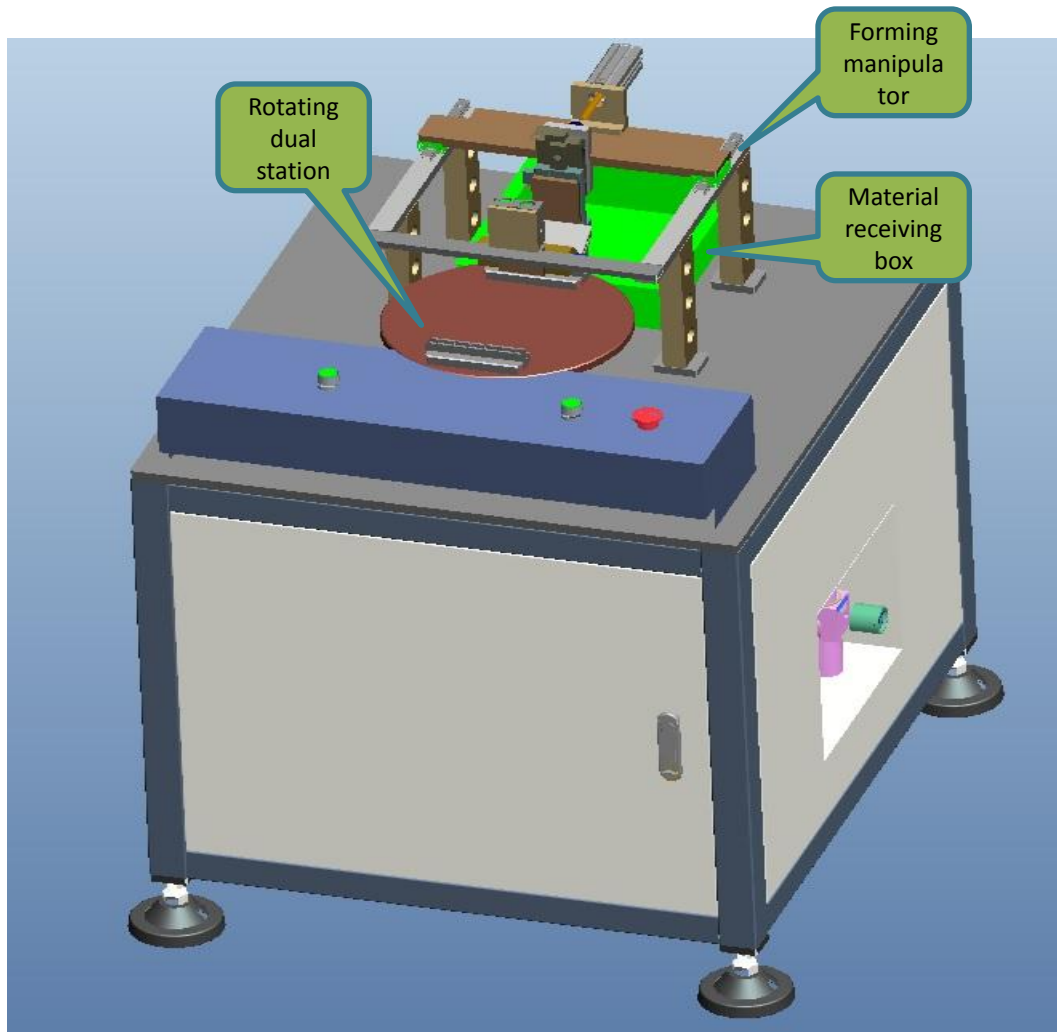
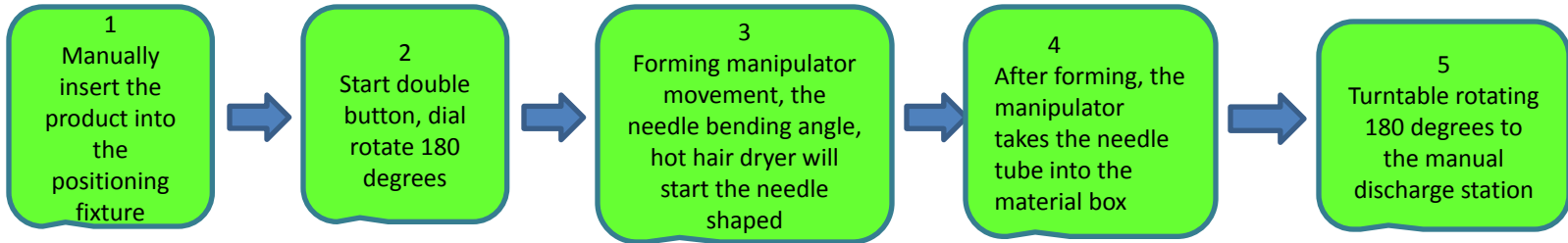


Overall outline of equipment

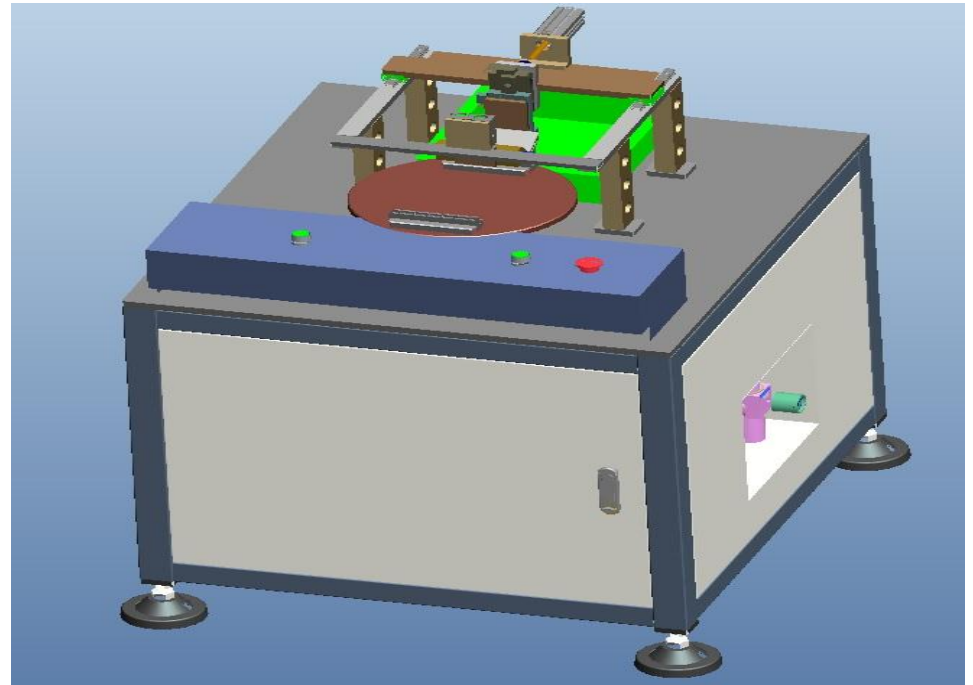




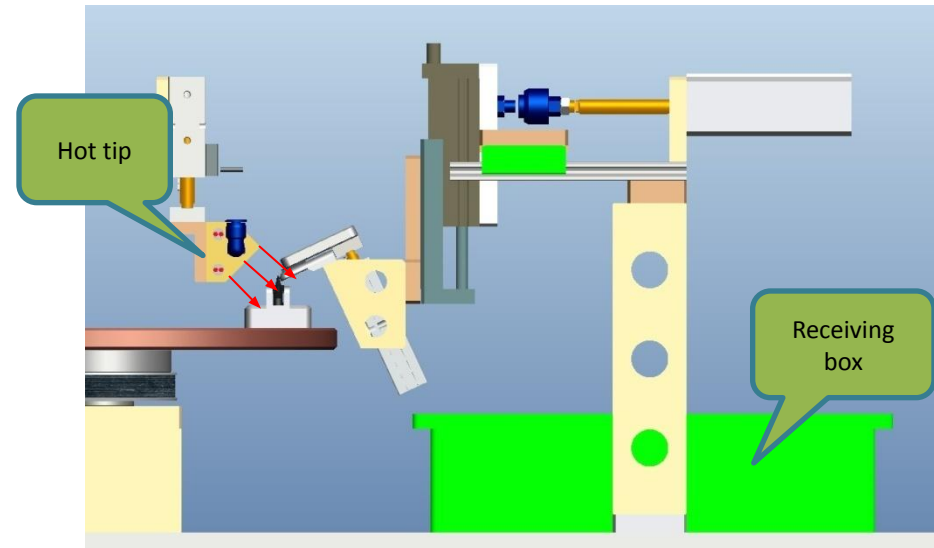
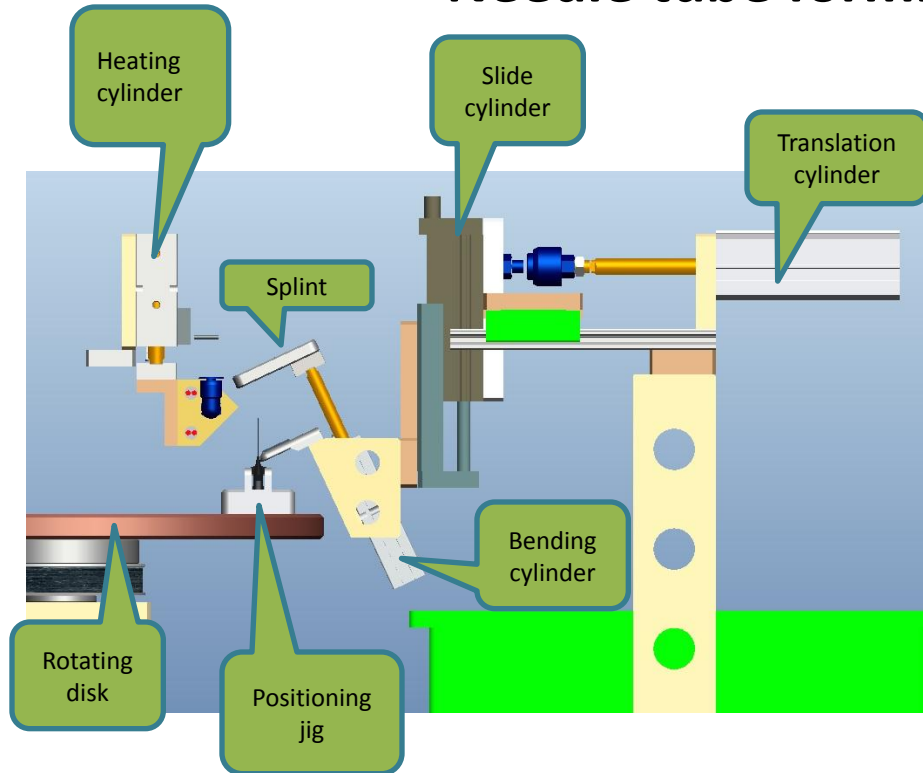
Equipment process flow chart



Cycle time : 17s (Bending 6s+hot blow forming 8s+unloading 3s)
Single product time : 2.8s/pcs
Single equipment capacity :
 $3600s/2.8s=1285\text{pcs/h}$



Needle tube forming and blanking



The needle tube is rotated to the forming station, and the cylinder motion splint is moved to the needle tube

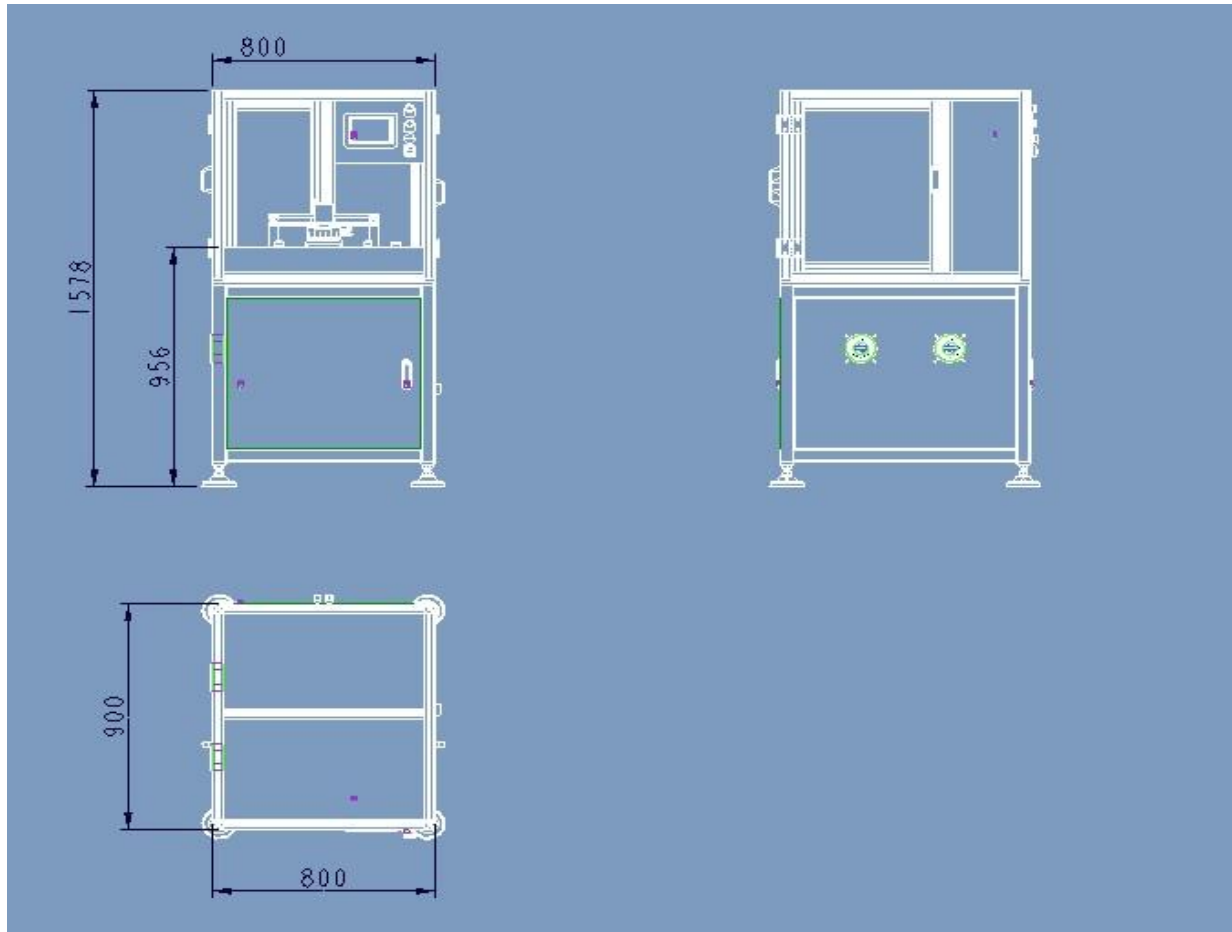


Clamp the needle tube bending, heating cylinder down, hot wind near the elbow, hot blow points start, needle shaped



After the needle tube is formed, the slide cylinder is lifted, the needle tube is lifted out of the jig, and the translational cylinder is retracted to the top of the receiving box

Equipment dimensions



Thank you !