



P770 Disassembly guide

Contents

1. Disassembly tool
2. Phone structure
3. Follow chart
4. Explosive view

1. Disassembly tools



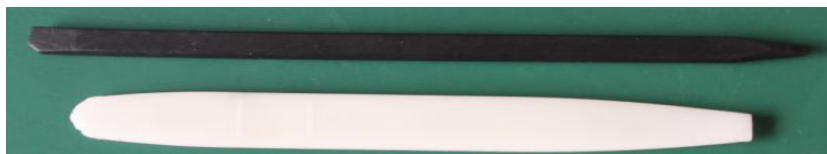
①crossing
screwdriver



②tweezer



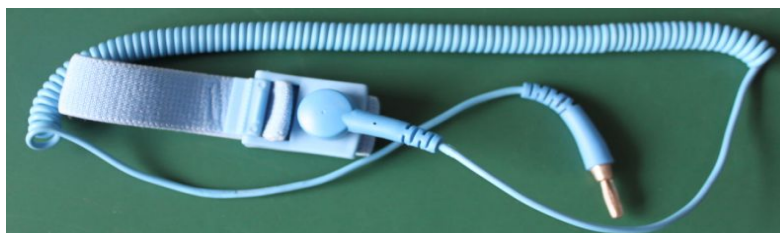
③crowbar



④chip



⑤anti_static wrist



1、 Take proper anti-static measures: put on anti-static wrist/gloves and wear proper anti-static clothes.

2、 Prepare disassembling tools: metal forceps, cross screwdriver, crowbar, electric iron.

2 . Phone structure

- Front view

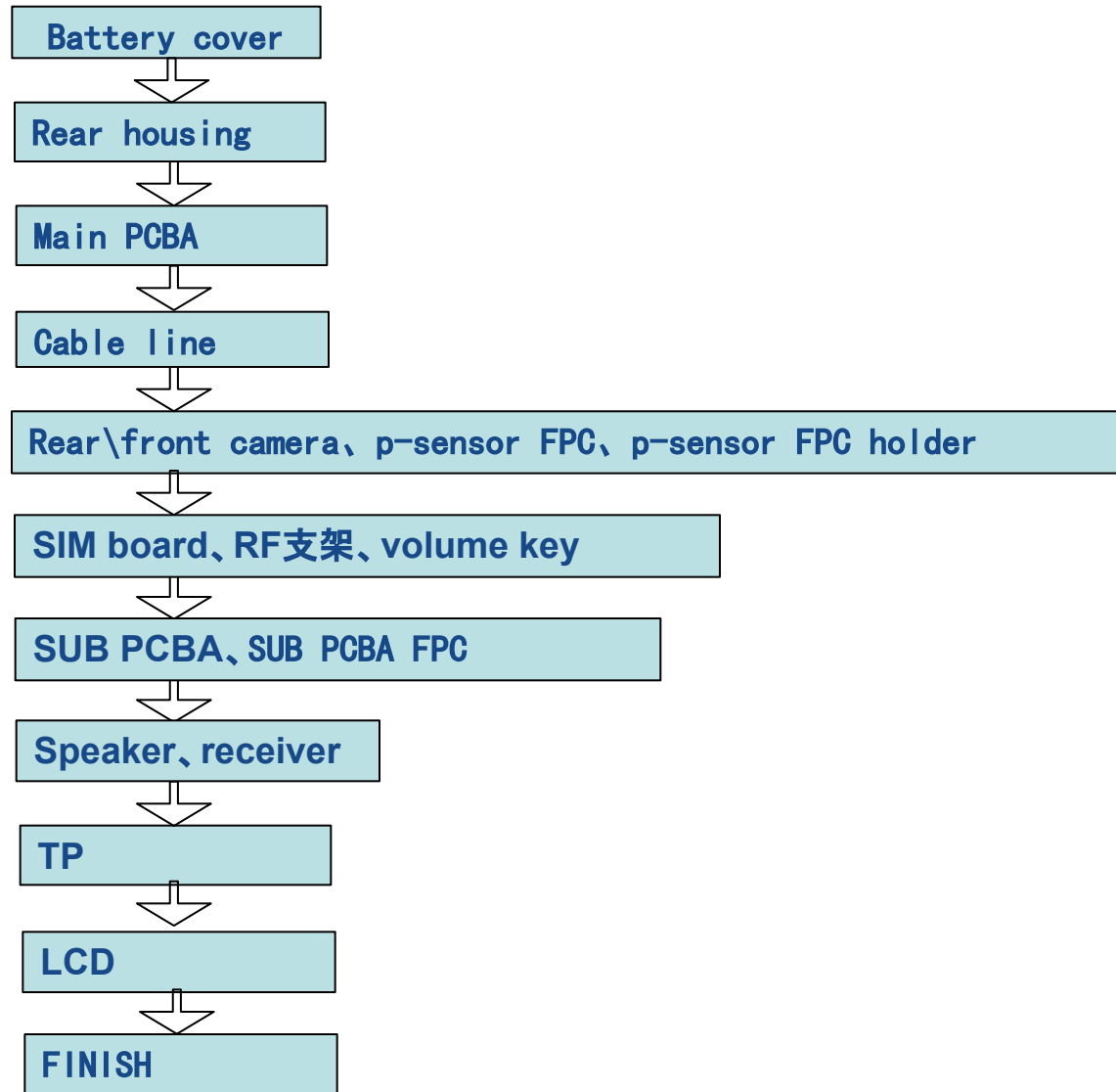


- Rear view



3 . Follow chart of Disassembling

- Follow chart



4 . Disassembly steps

- Attention

Before the disassembly of P770:

1. Be sure that it' s powered off

1. Take out SIM and TF card

Assembly

Reinstate to the condition before disassembly.

4. Disassembly steps

- Step1: battery cover



4. Disassembly steps

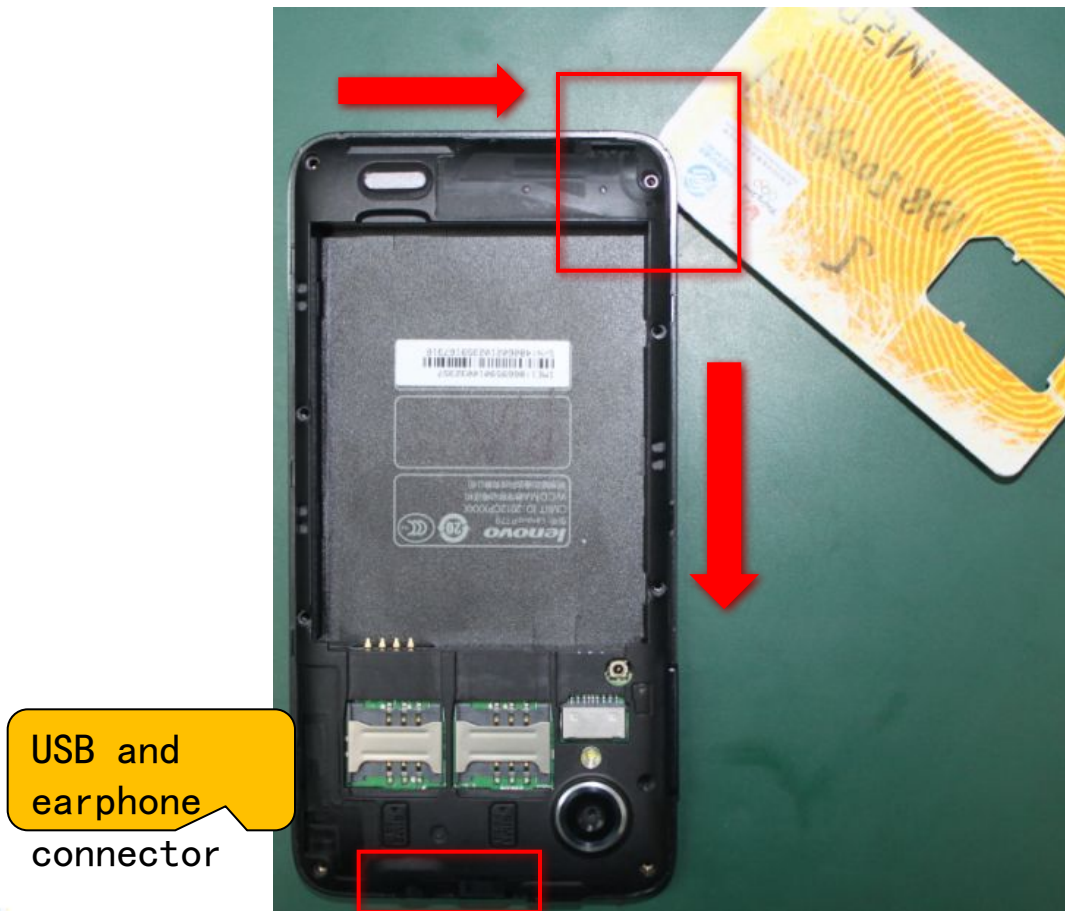
- Step2: Rear housing

1. Loosen and take down the screws



4. Disassembly steps

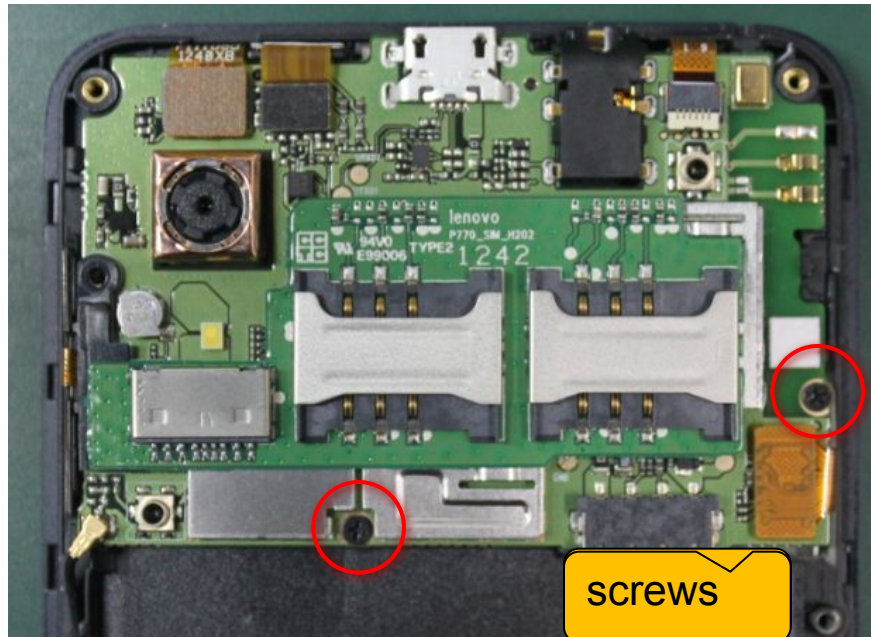
- Step2: Rear housing



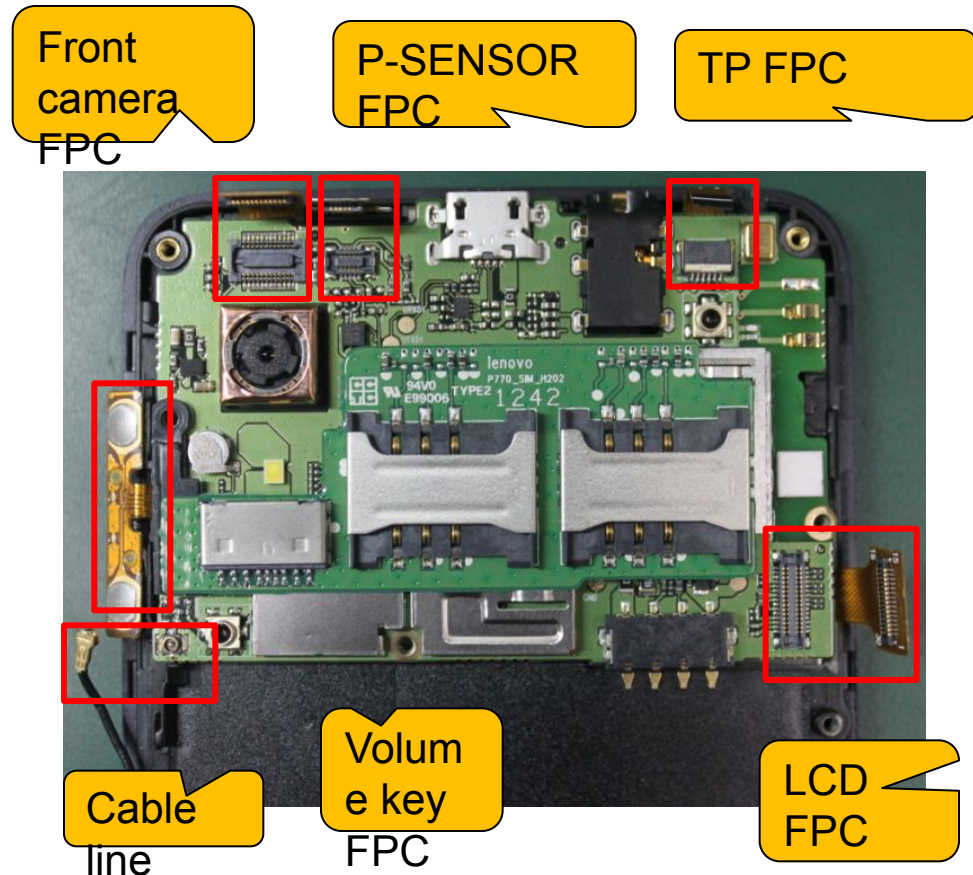
4. Disassembly steps

● Step3: Main PCBA

① Loosen screws



screws



Front camera FPC

P-SENSOR FPC

TP FPC

Cable line

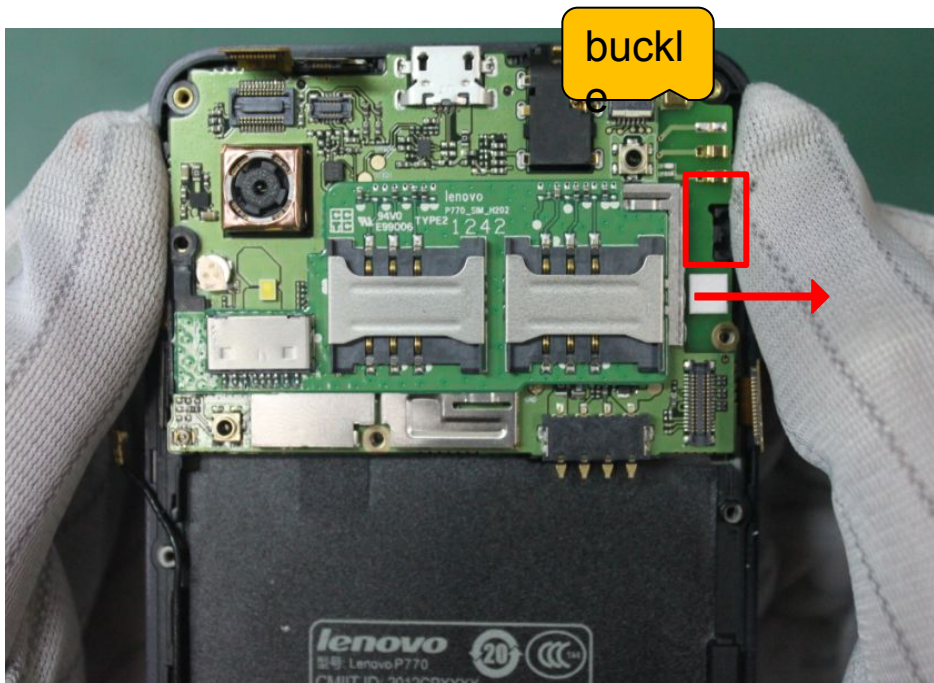
Volum e key FPC

LCD FPC

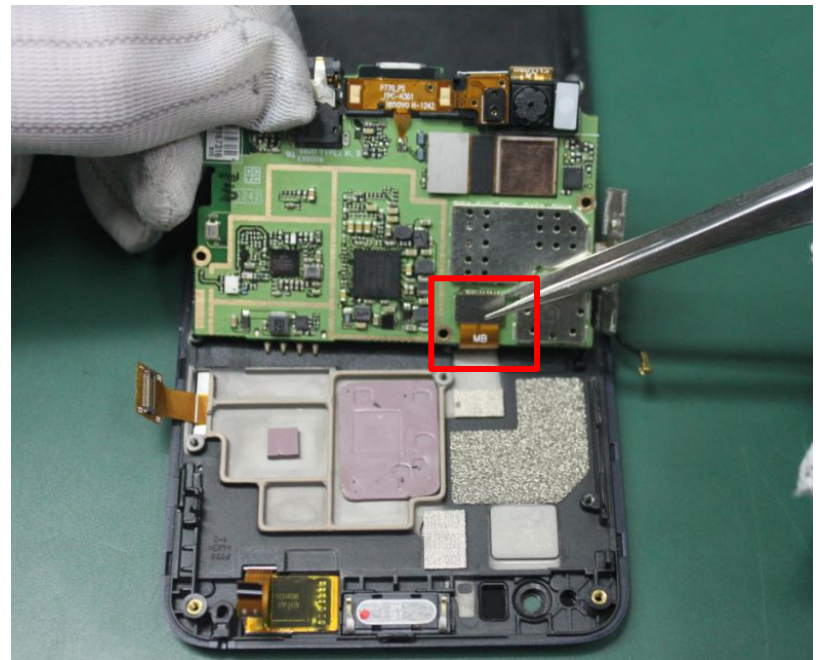
4. Disassembly steps

- Step3: Main PCBA

① Loosen buckle

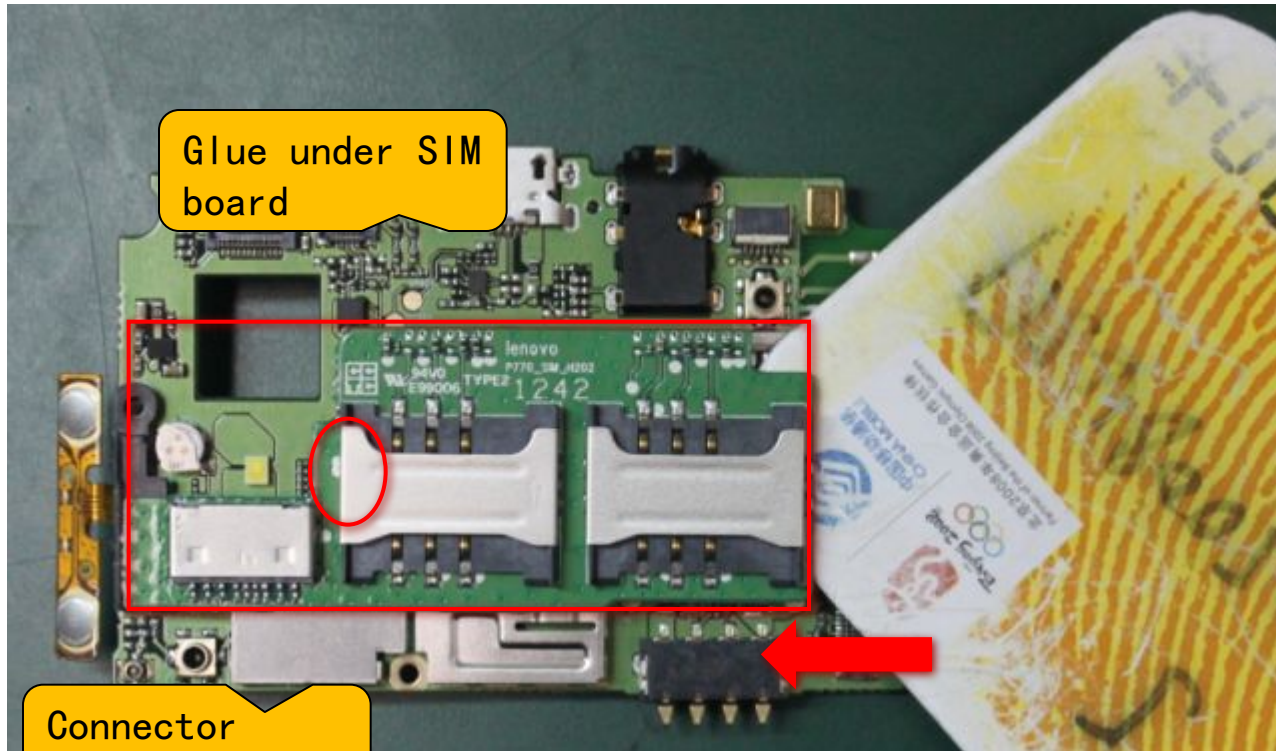


② Loosen SUB PCBA FPC



4. Disassembly steps

- Step4: sim board



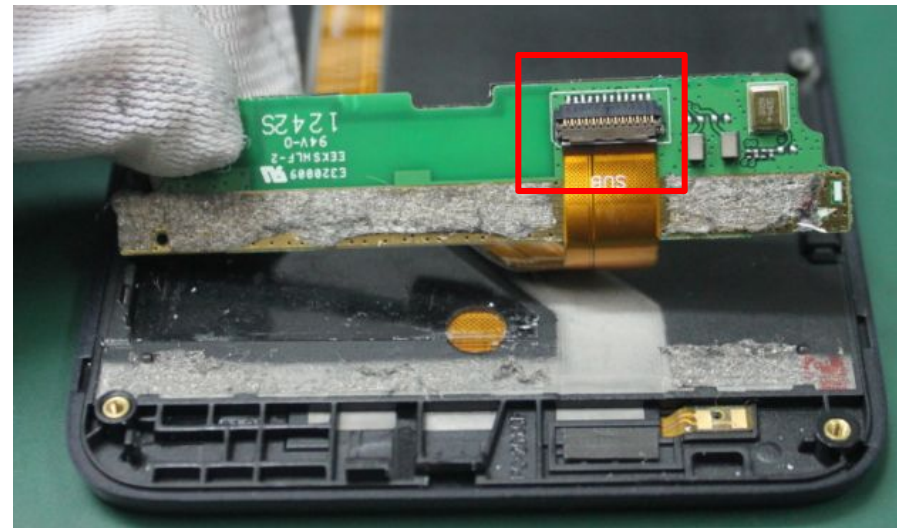
Connector
under the
board

4. Disassembly steps

- Step5: SUB PCBA



buck
e



4. Disassembly steps

- Step6: TP

①use blow drier to heat up the TP around uniformly. To soft the glue and separate the TP from front housing.

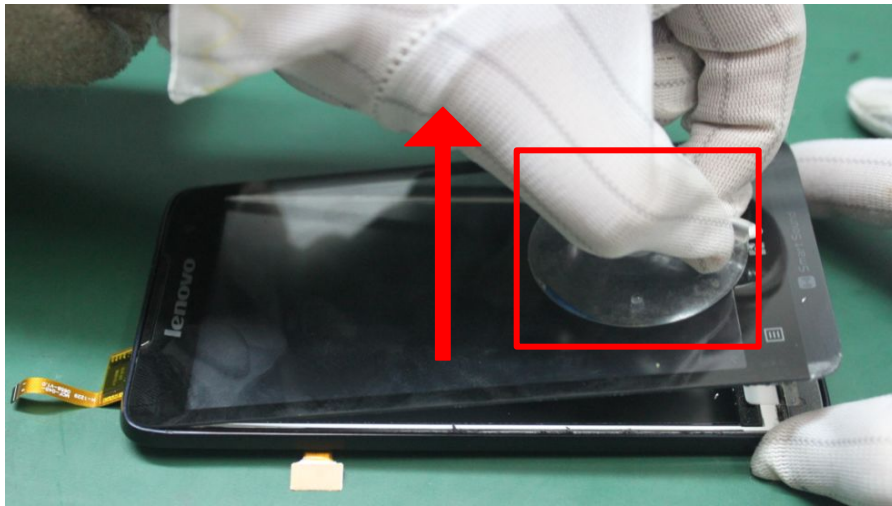


Attention: 1、heating time not too long and the temperature not too high; 2、be careful of the FPC

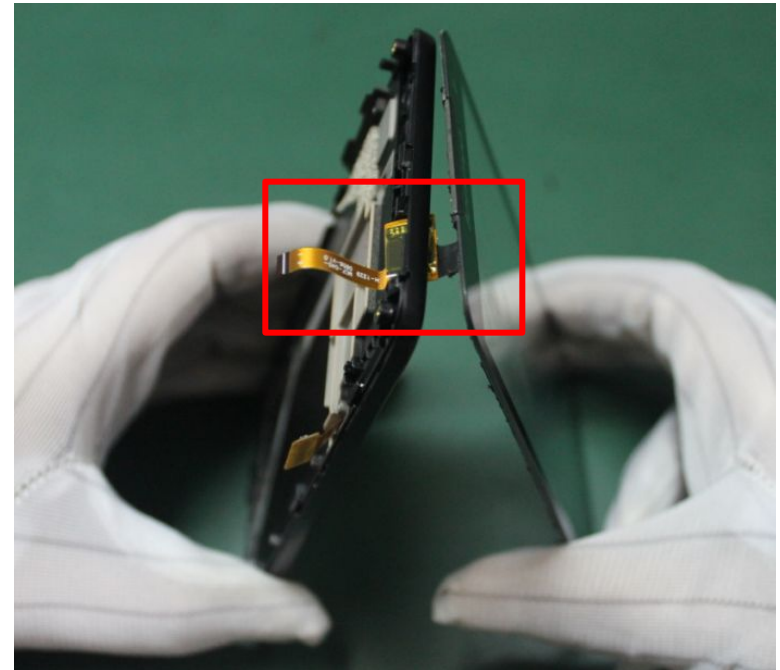
4. Disassembly steps

- Step7: TP

② After glue is soft ,use the sucker to take down TP

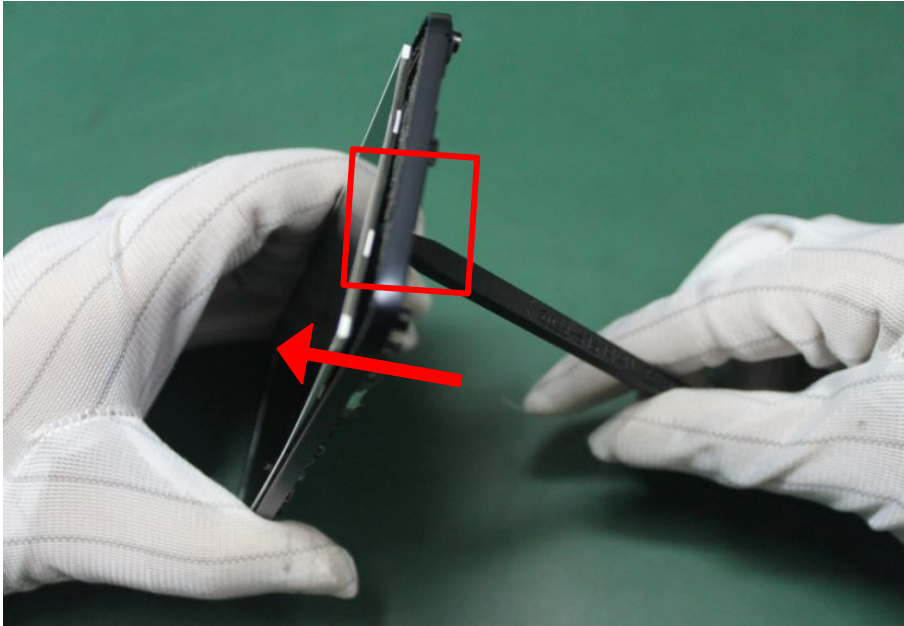


③ Take attention to the TP FPC



4. Disassembly steps

- Step8: LCD



5. Explosive view



FINISH

thank you grazie **merci** danke **grazias** 谢谢 **спасибо**
gracias **obrigado** ありがとう **dank** takk **bedankt** dakujem

lenovo
联想移动