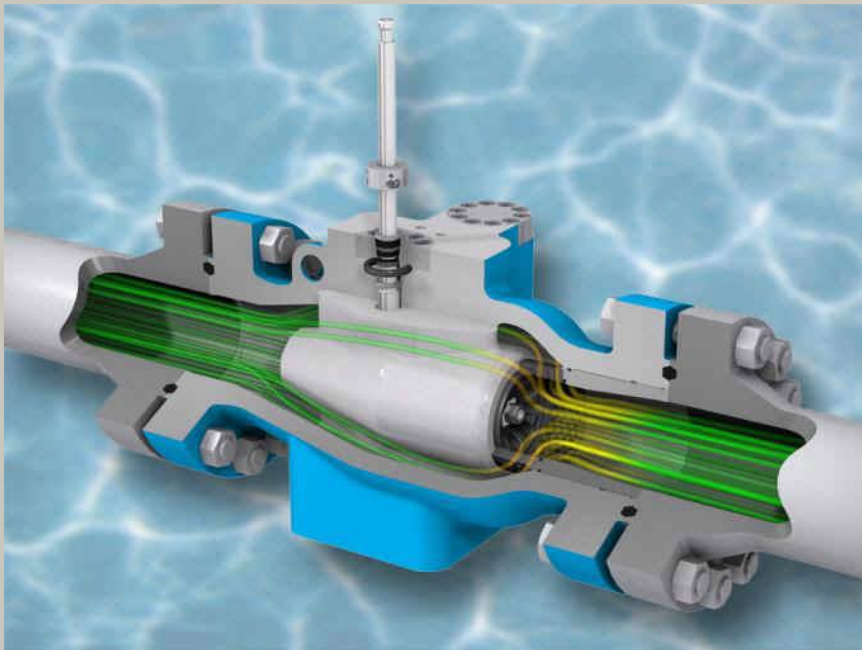
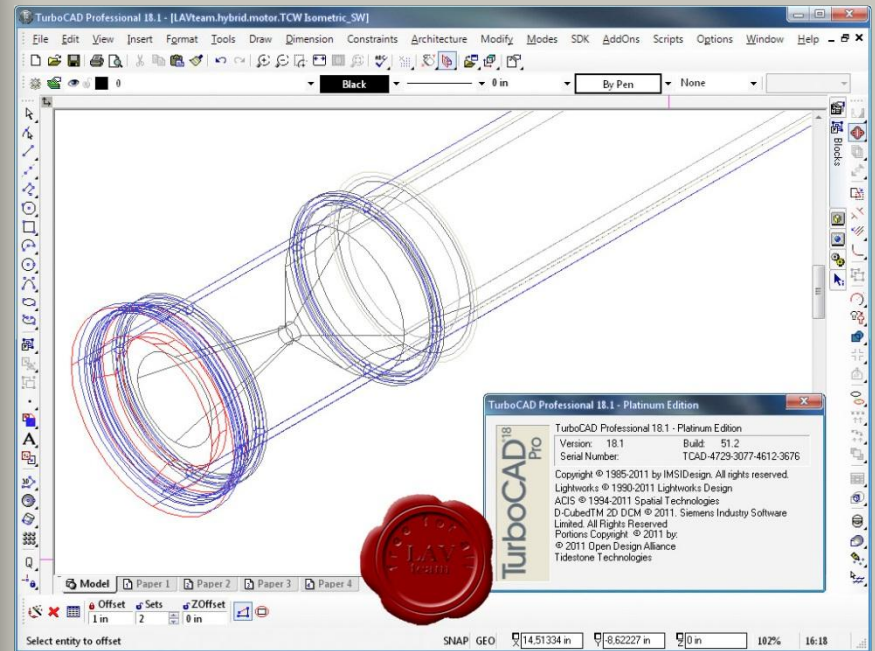


Project Manager

Design

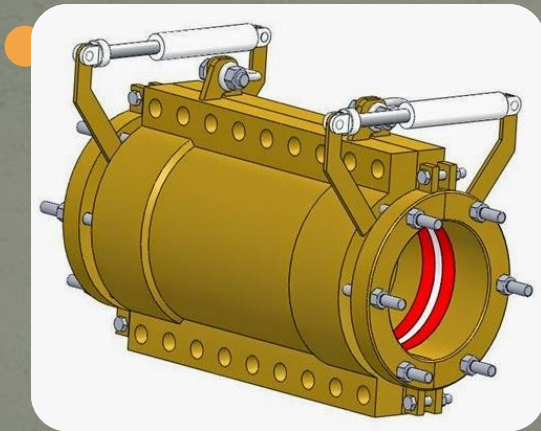
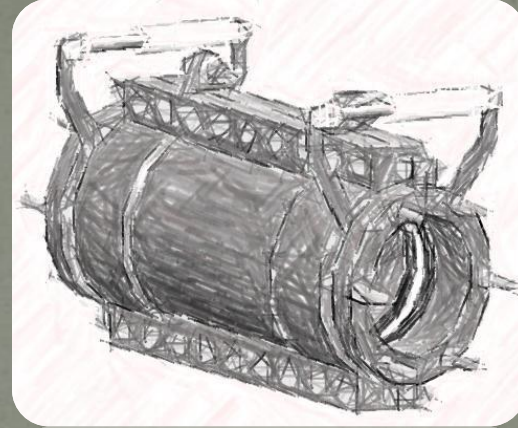


Calculation



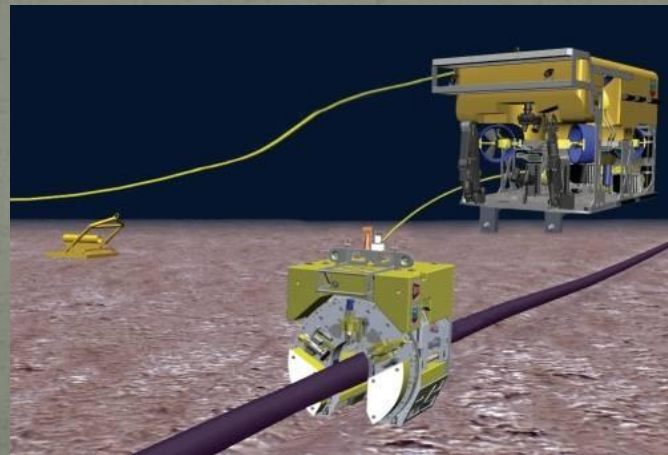
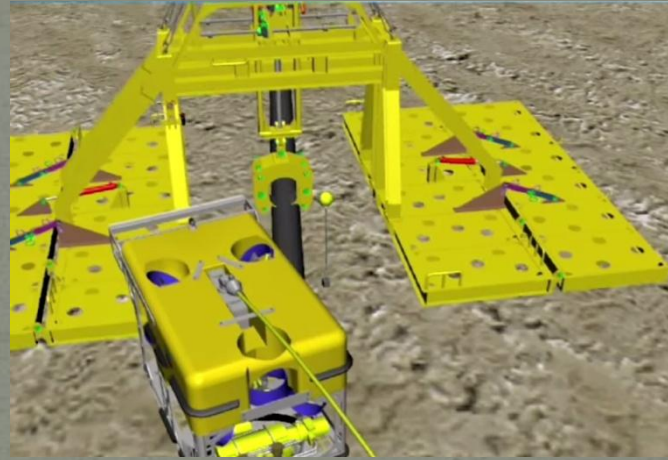
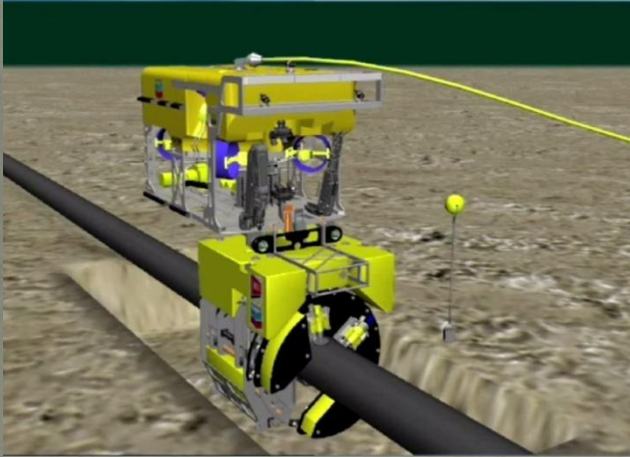
Design

- Sketch (2D)
 - Drafts
 - Drawings

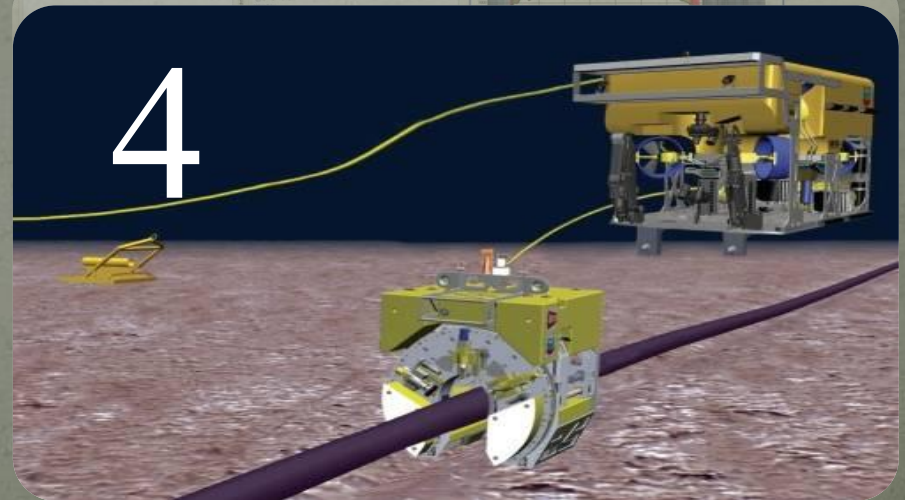
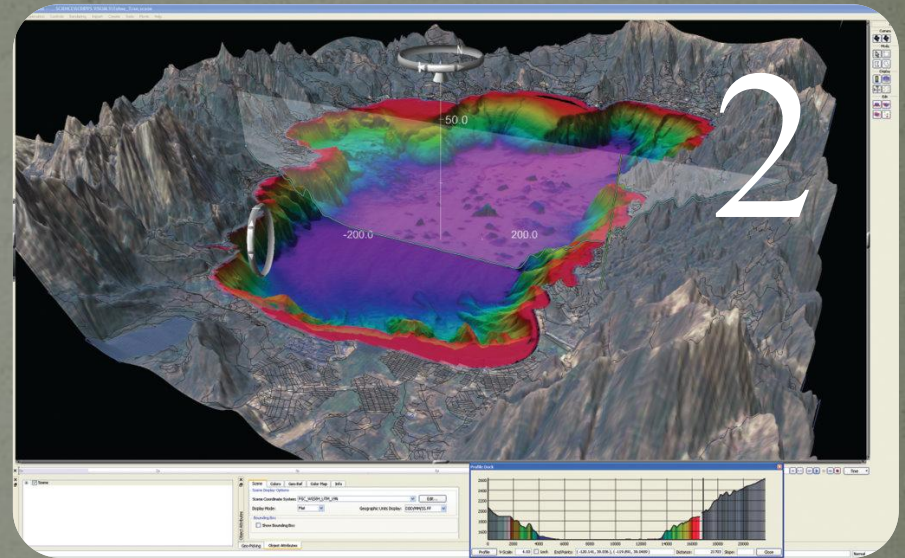
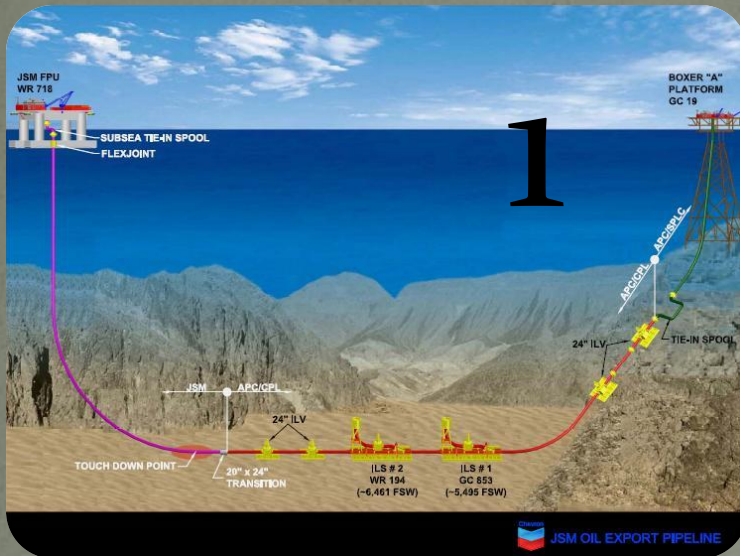


- Modeling (3D)

Designing equipment



Calculation



Calculation programs

