

Nizhny Novgorod Technical University n.a. R.E.Alekseev

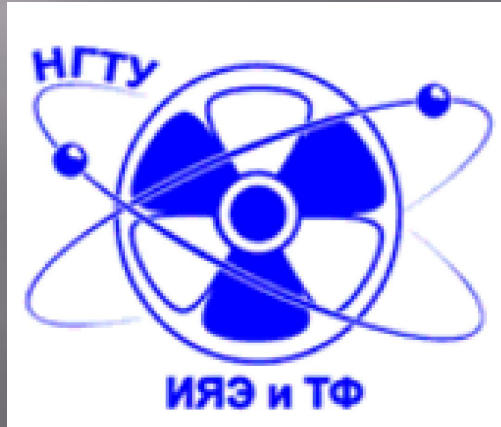
Essay

Theme: VBER-300

Suchkousov A.A.
M16-YE



Institute of Nuclear Power Engineering and Applied Physics

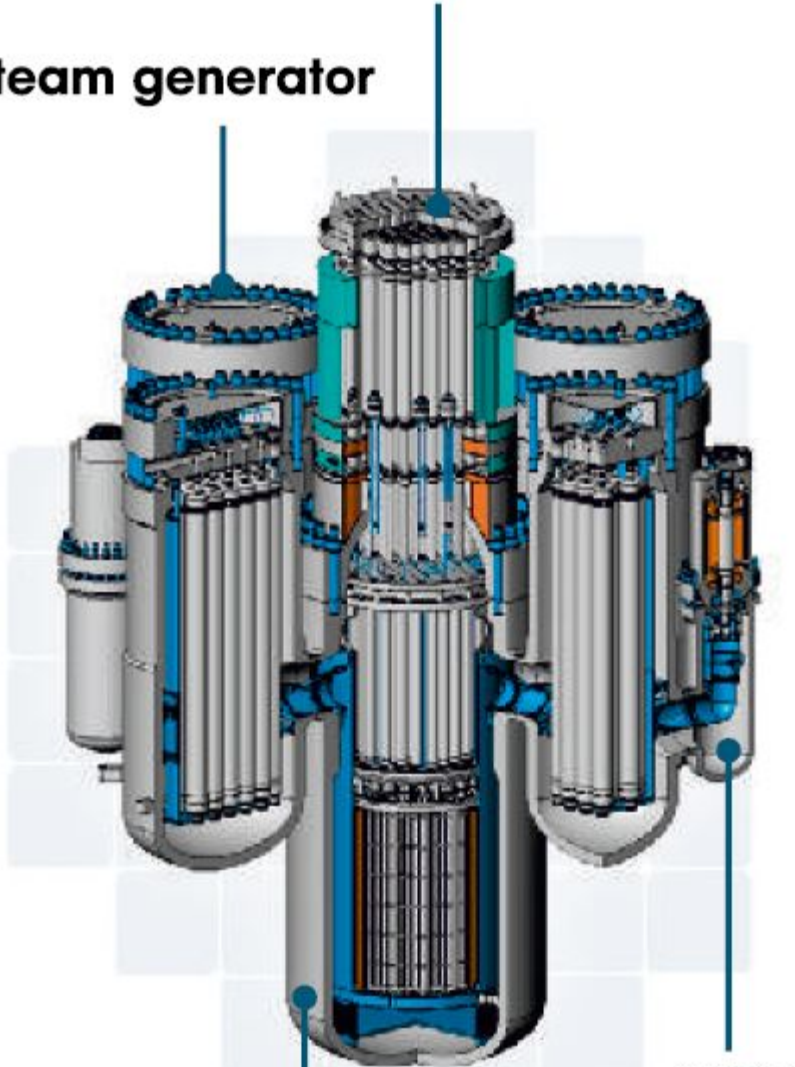






CPS control rods

steam generator

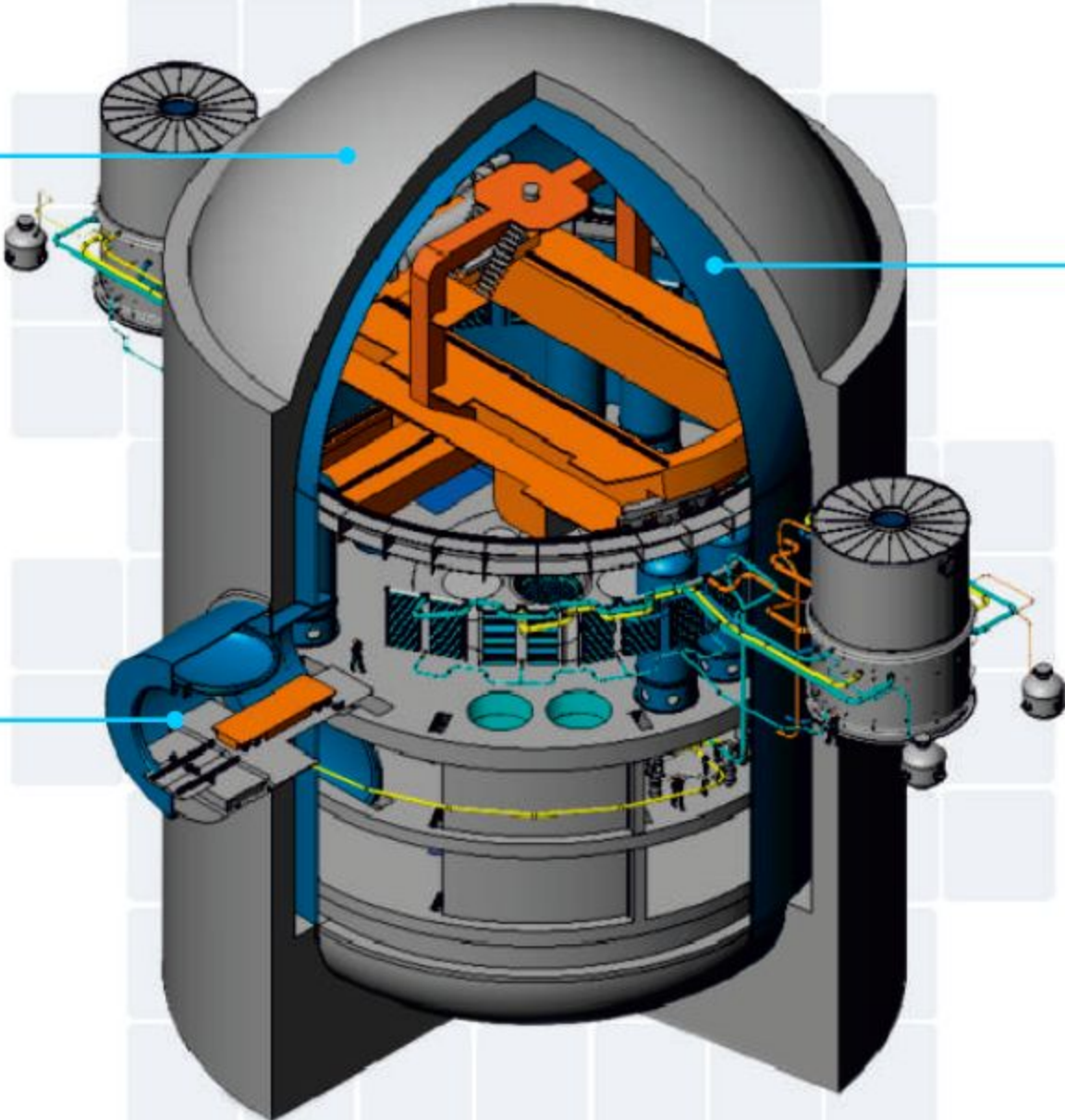


reactor

MCP

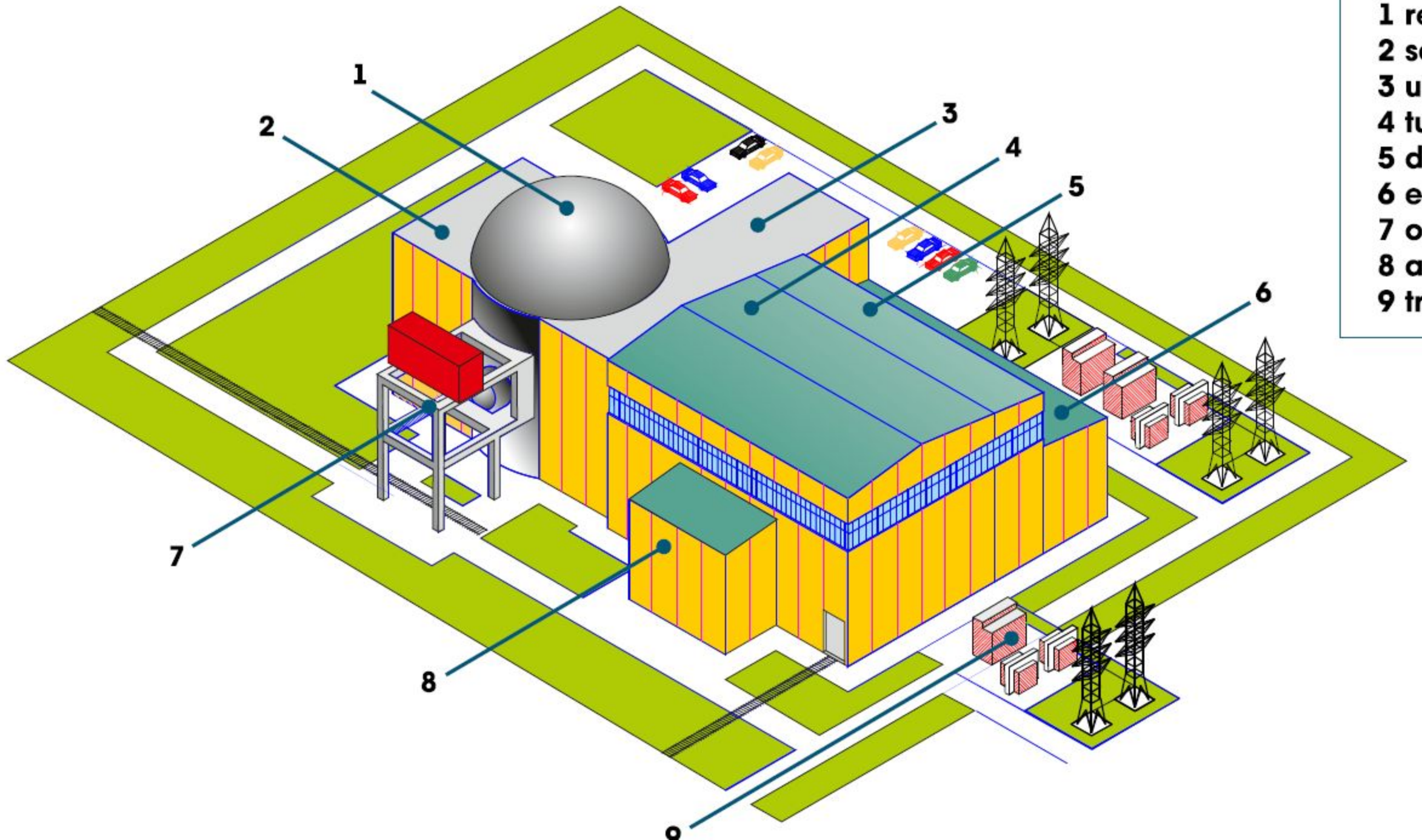


**external concrete
containment**



**internal metal
protective
containment**

transportation lock



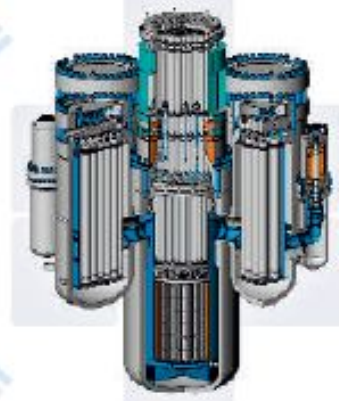
- 1 reactor
- 2 safety
- 3 unit c
- 4 turb
- 5 deaer
- 6 electr
- 7 overp
- 8 auxilia
- 9 transfe



three-loop RP



two-loop RP



four-loop RP



five-loop RP



six-loop RP



Thank you for attention